

# **Advanced Troubleshooting CCIE Routing & Switching v5.0**

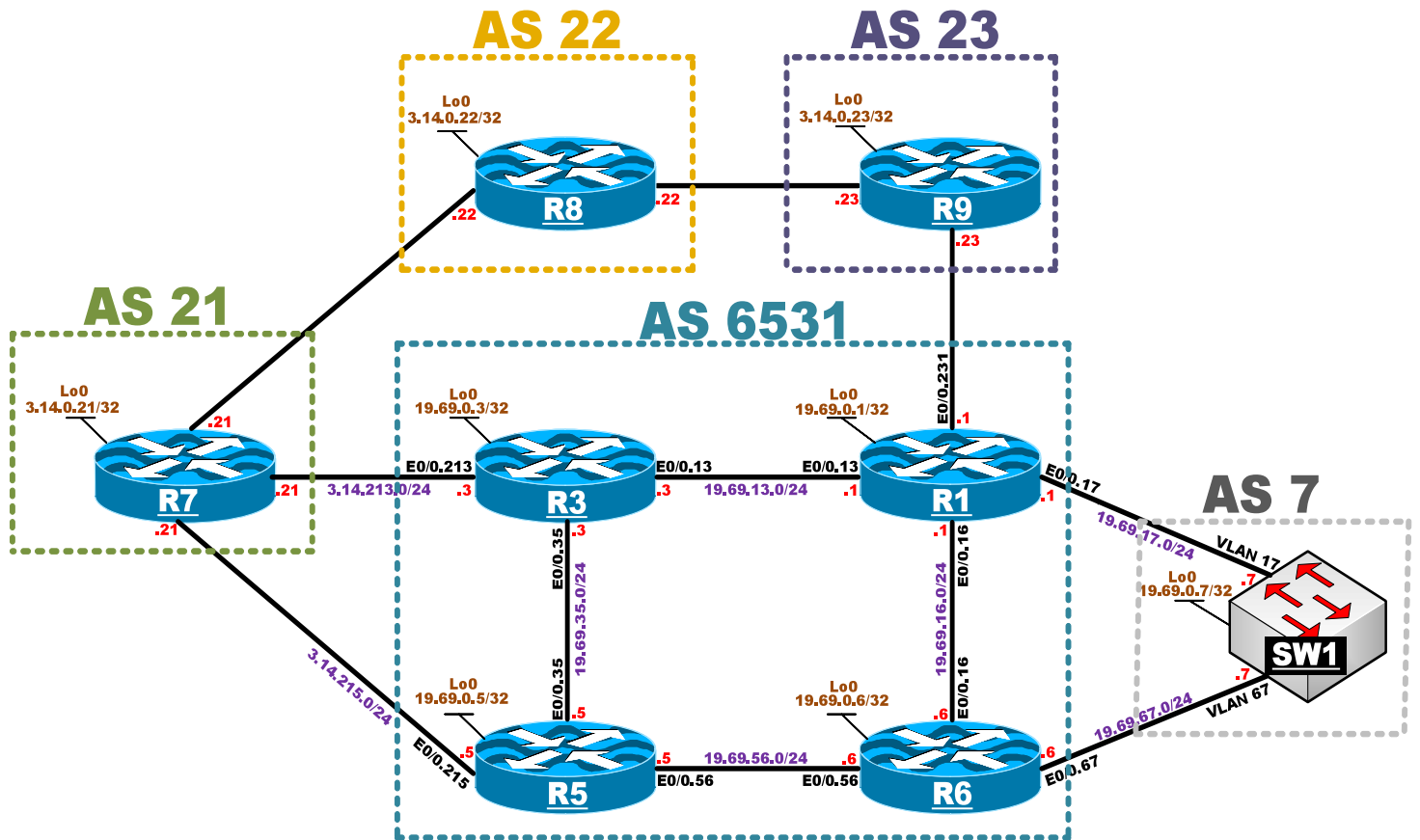
[www.MicronicsTraining.com](http://www.MicronicsTraining.com)

**Narbik Kocharians  
CCSI, CCIE #12410  
R&S, Security, SP**

## **BGP Questions & Answers**

# Lab 1

## Troubleshooting BGP Scenario - I



### Lab Setup:

To copy and paste the initial configurations, go to “CCIE-TS-Initial-configurations” folder → “BGP” → “TS-BGP-Initial-Lab-1”.

### Ticket 1

R5 is not establishing a BGP peer session with R7.

## **Ticket 2**

R3 can't reach R7's Lo0 (3.14.0.21).

## **Ticket 3**

R1 can't reach R8's Lo0 from its Lo0 interface. All routers in AS6531 are having the same problem. DO NOT use a BGP feature such as confederation to fix this problem.

## **Ticket 4**

R6 can't reach R7's Lo0.

## **Ticket 5**

AS 6531 is configured such that R7 in AS 21 prefers R5 as the next hop to reach the Lo0 interface of R6, but this is not working. You should use an interface configuration mode command to fix this problem.

## **Ticket 6**

R6 should perform equal cost load sharing for traffic destined to R8's Lo0 via R1 and R5, but this is not working.

## **Ticket 7**

SW1 is a low end switch with very limited memory. R1 and R6 are configured to summarize all the prefixes in AS6531 and advertise a single summary to SW1, but SW1 sees all the specific prefixes. The solution should ONLY affect SW1.

## **Ticket 8**

Erase the startup configuration and reload the devices before proceeding to the next lab.