

Advanced CCIE Routing & Switching v5.0

www.MicronicsTraining.com

Narbik Kocharians
CCSI, CCIE #12410
R&S, Security, SP

VOL-II

Table of content

Subject	Page
BGP	
Lab 1 Establishing Neighbor Adjacency	5
Lab 2 Route Reflectors	7
Lab 3 Conditional Advertisement and BGP Backdoors	10
Lab 4 Route Dampening	11
Lab 5 BGP Aggregation	12
Lab 6 The community Attribute	13
Lab 7 BGP Cost Community	15
Lab 8 BGP Load Balancing	16
Lab 9 Local Preference -I	17
Lab 10 Local Preference -II	18
Lab 11 The AS-Path Attribute	19
Lab 12 The Weight Attribute	20
Lab 13 Multi Exist Discriminator Attribute	21
Lab 14 BGP Filtering	23
Lab 15 Administrative Distance	24
Lab 16 Advanced BGP Configuration	25
Lab 17 BGP Confederation	26
Lab 18 BGP Hiding Local AS Number	27
Lab 19 BGP Allow-AS	28
Lab 20 BGP Automatic-Tag, and AS-Path tag & Table-map	29
Lab 21 4 Byte AS Numbers	30
MPLS & L3VPNs	
Lab 1 Configuring LDP	32
Lab 2 Static & RIPv2 Routing in a VPN	33
Lab 3 EIGRP Routing in a VPN	34
Lab 4 EIGRP Site-Of-Origin	35
Lab 5 OSPF Routing in a VPN	36
Lab 6 Back door links and OSPF	37
Lab 7 BGP Routing in a VPN	38
Lab 8 MPLS and NAT	39

Lab 9 Route-Targets, Import maps and Export maps	40
Lab 10 Internet Access Method, Partial Internet Routes	41
IP Multicasting	
Lab 1 Configuring IGMP	43
Lab 2 Dense Mode	44
Lab 3 Static RP	45
Lab 4 Auto-RP	46
Lab 5 Auto-RP Filtering & Listener	47
Lab 6 Configuring BSR	48
Lab 7 Configuring MSDP	49
Lab 8 Anycast-RP	50
Lab 9 Configuring SSM	51
Lab 10 Helper-map	52

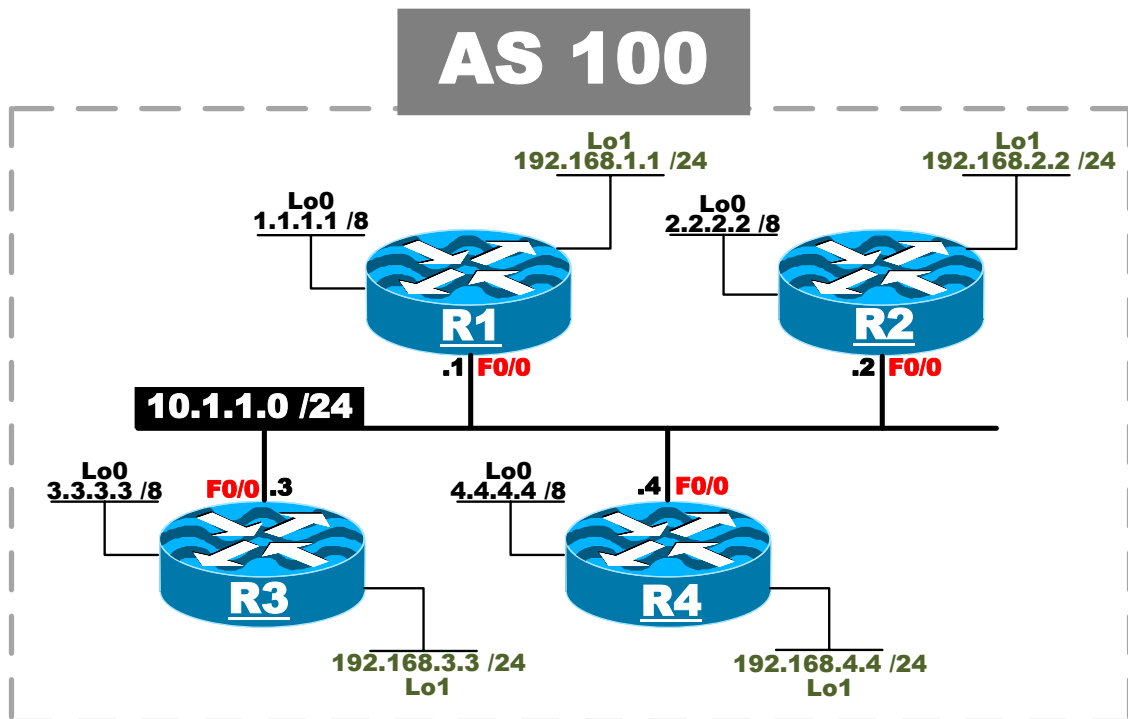
Advanced CCIE Routing & Switching v5.0

www.MicronicsTraining.com

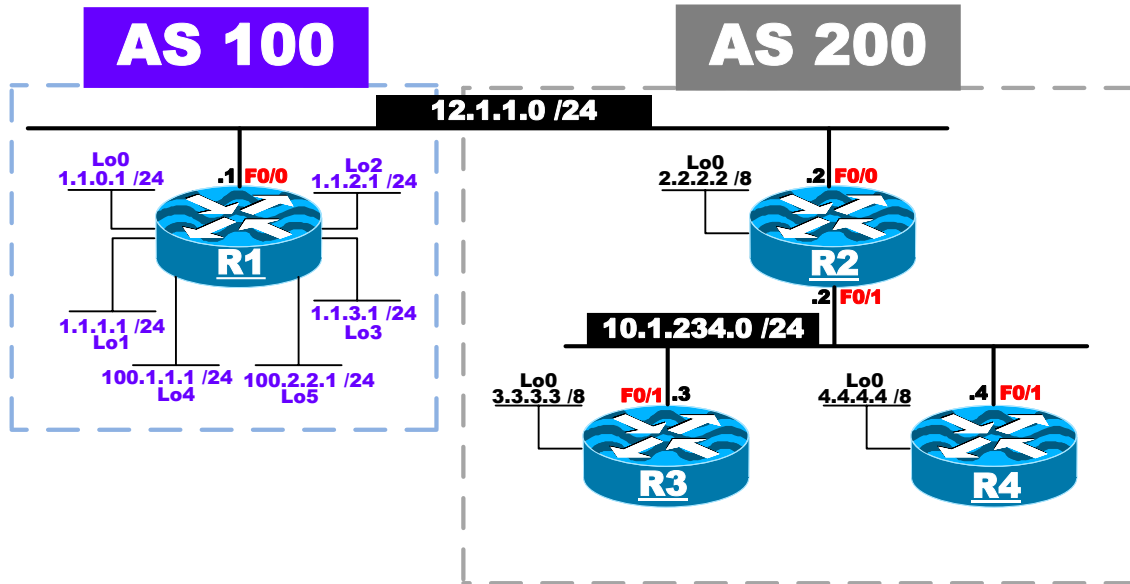
Narbik Kocharians
CCSI, CCIE #12410
R&S, Security, SP

BGP

Lab 1 – Establishing Neighbor Adjacency

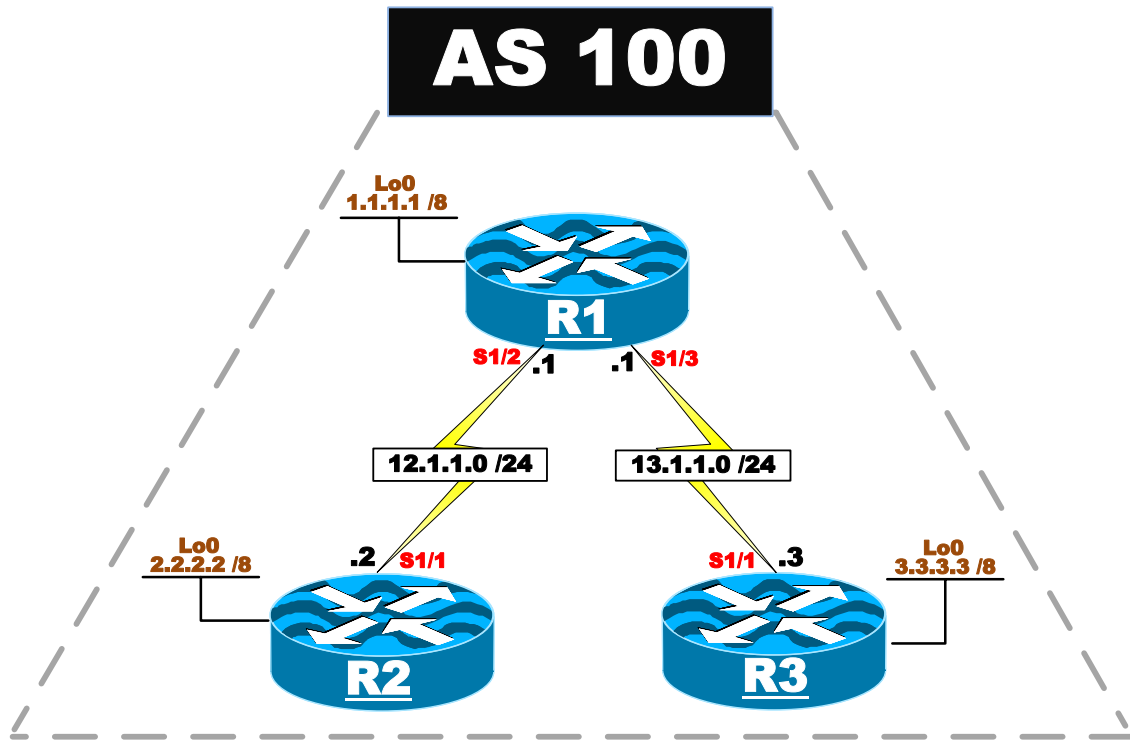


Task 5

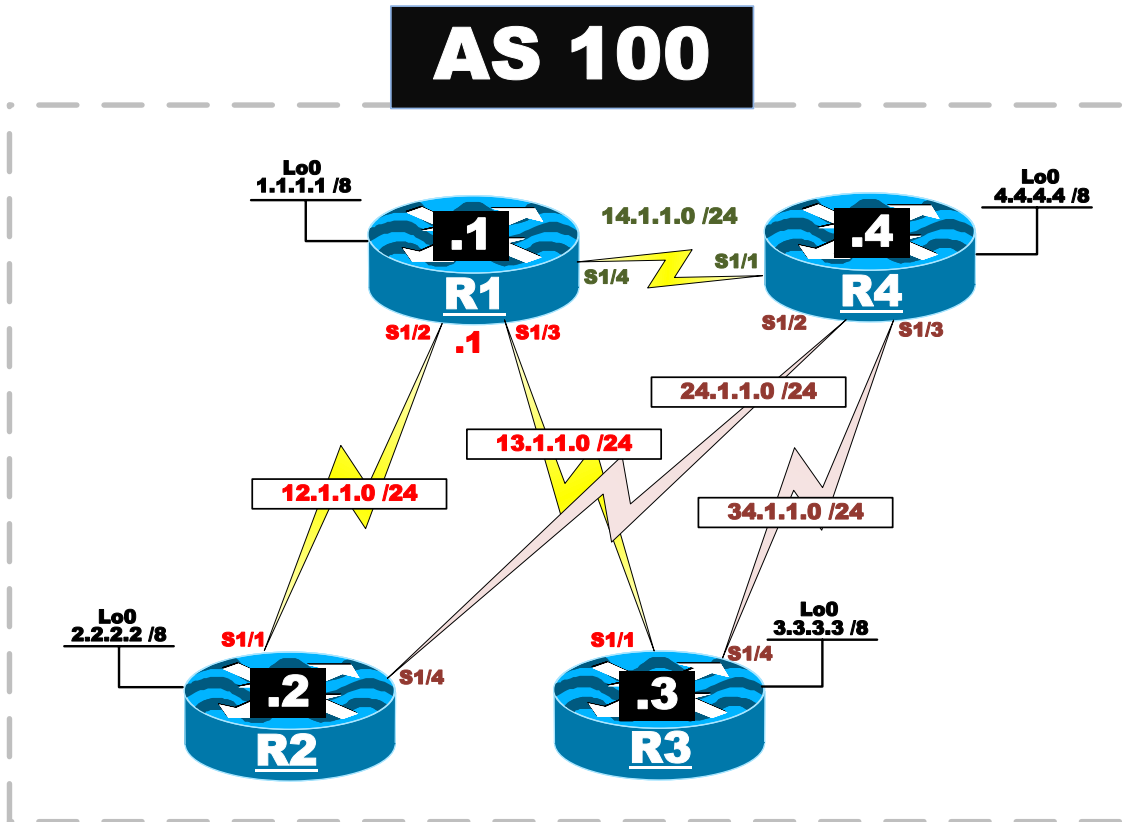


Lab 2

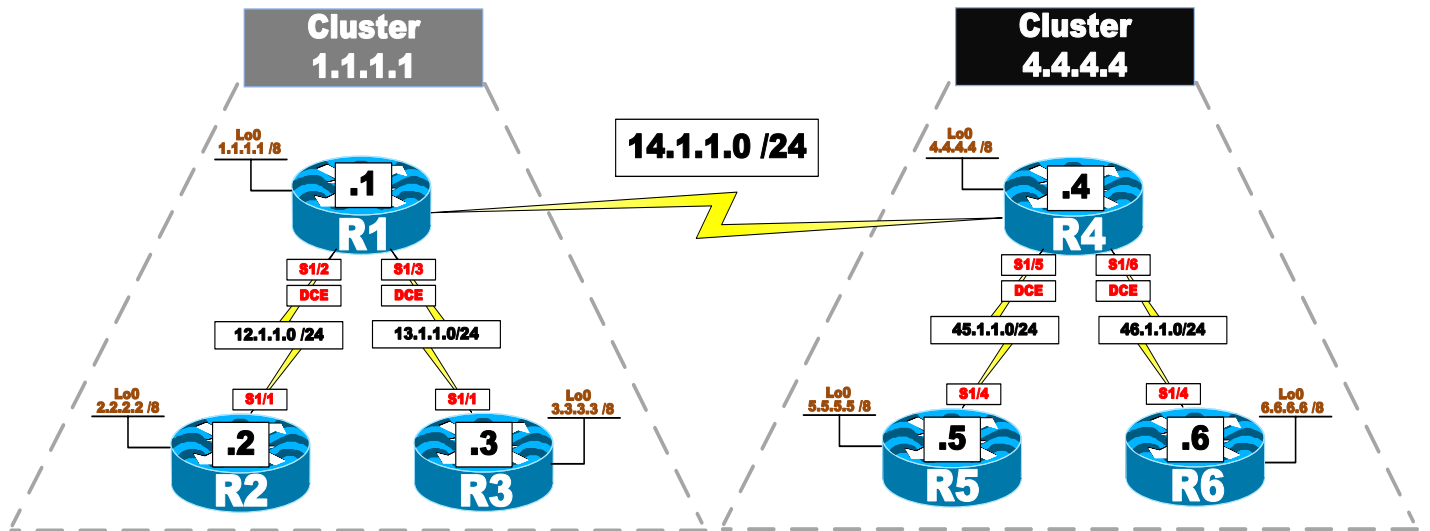
Route Reflectors



Task 4

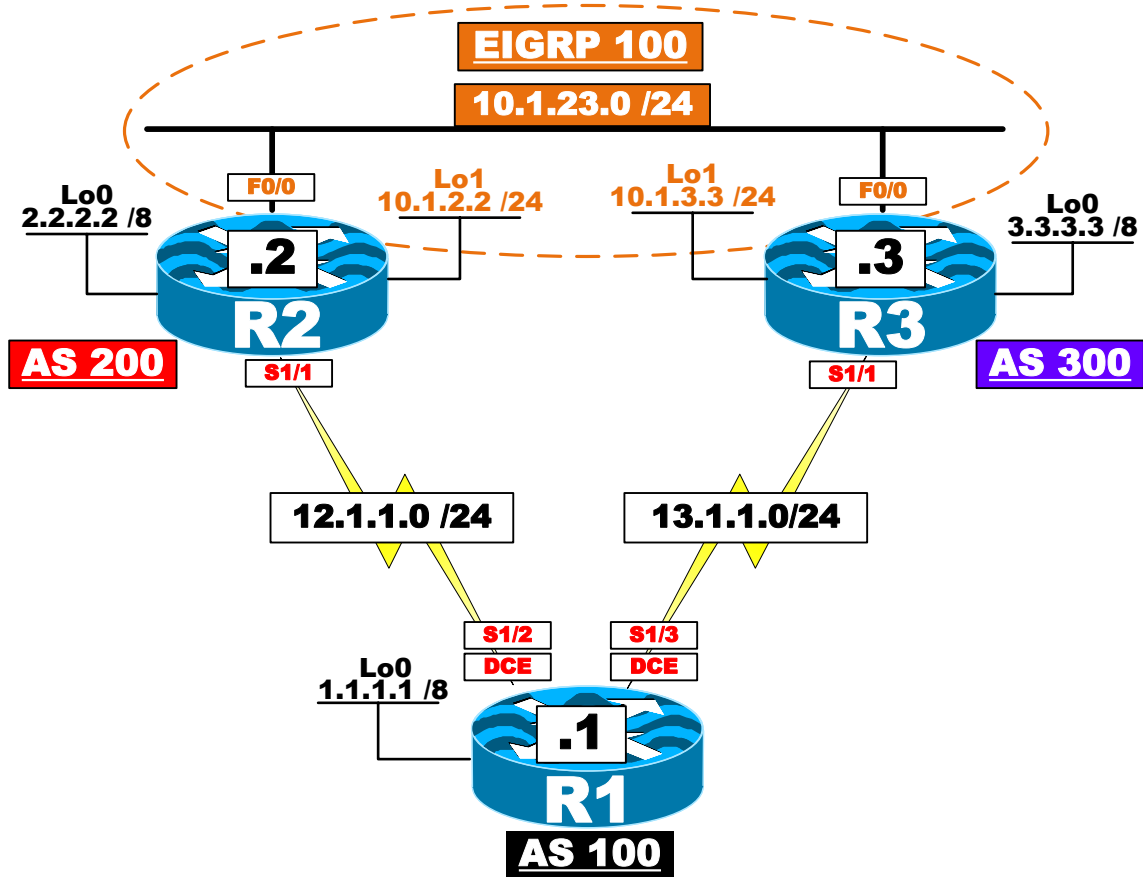


Task 5



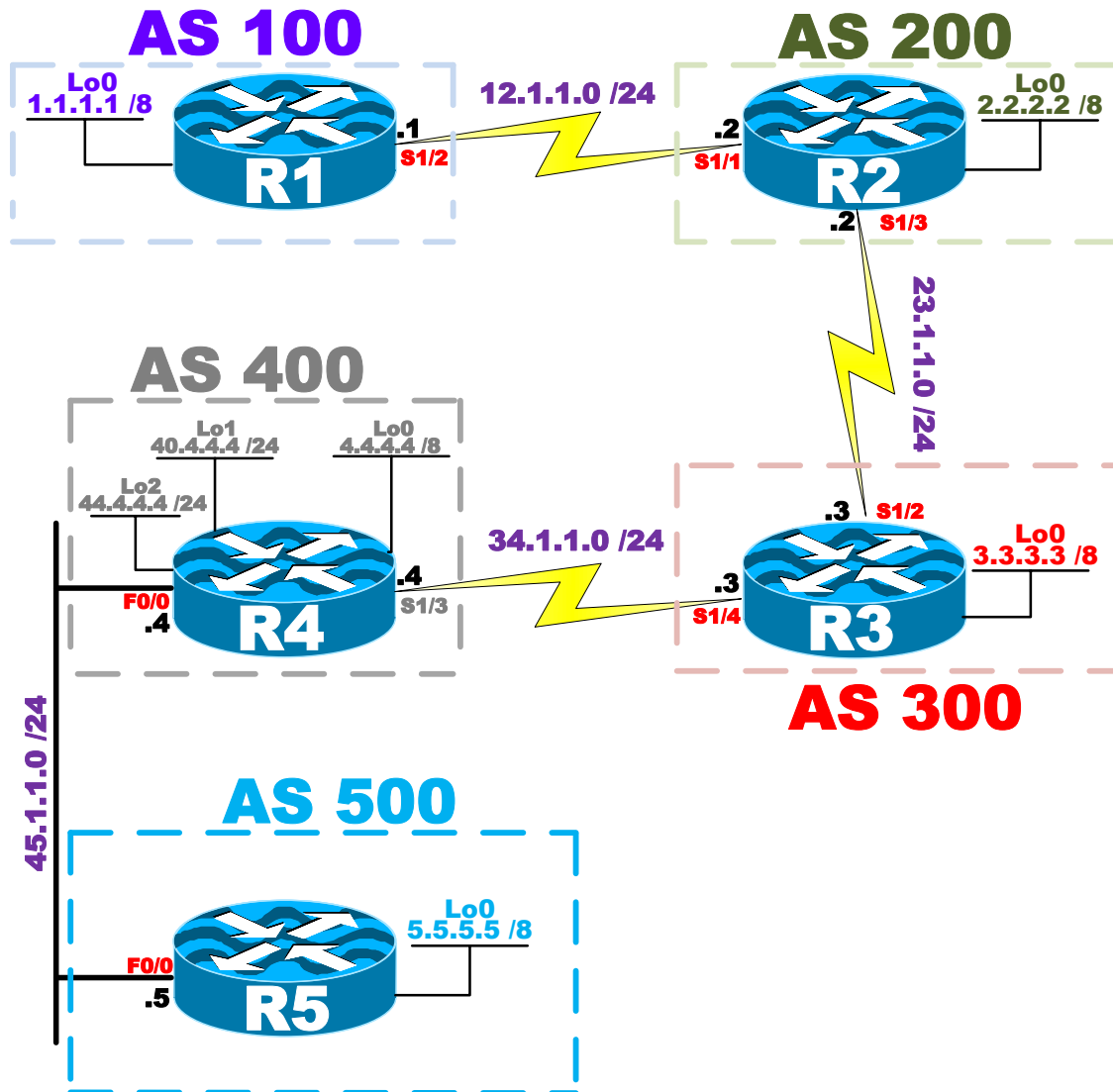
Lab 3

Conditional Advertisement & BGP Backdoor

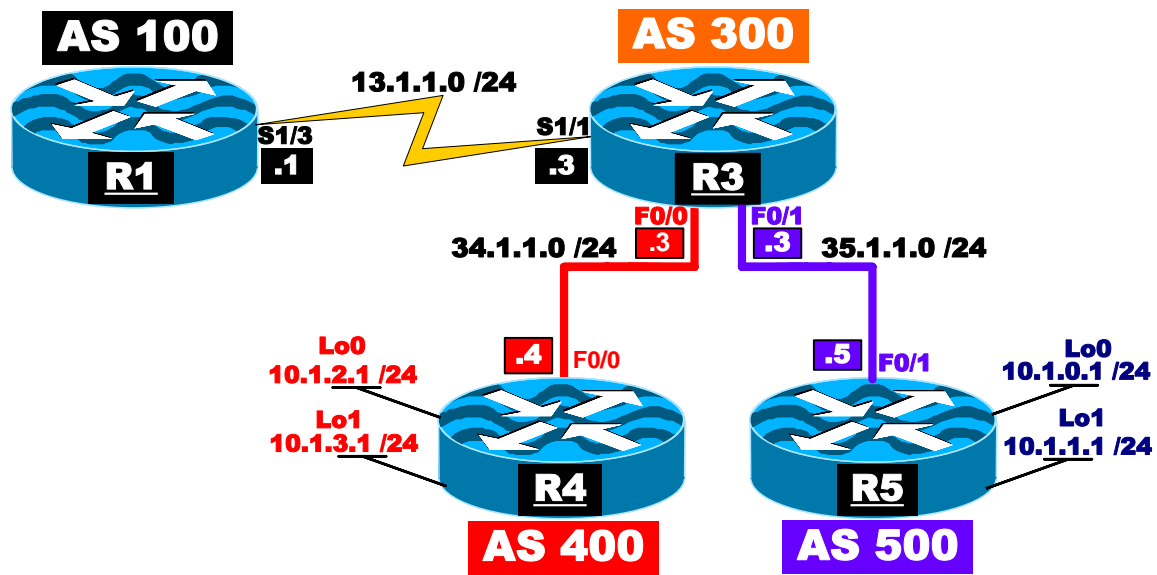


Lab 4

Route Dampening

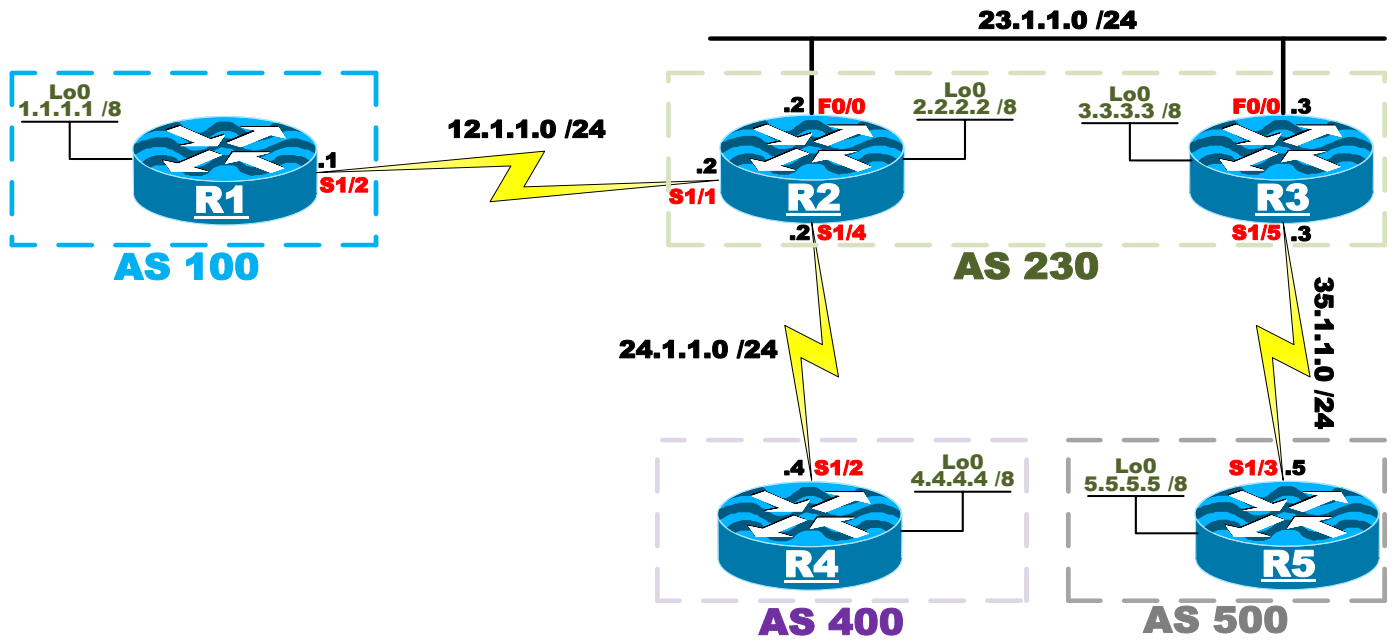


Lab 5 – BGP Aggregation

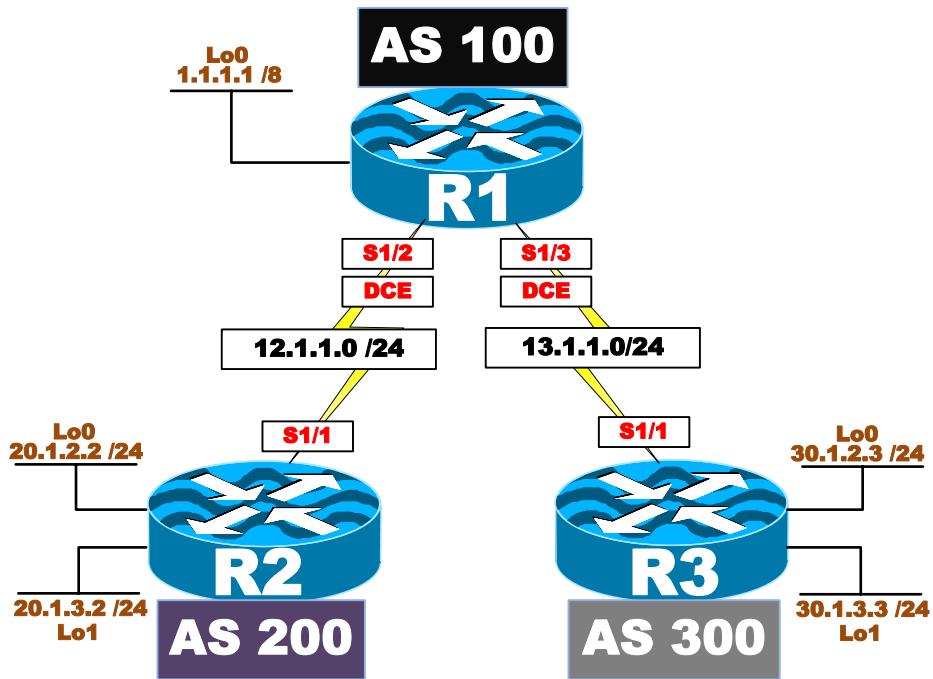


Lab 6

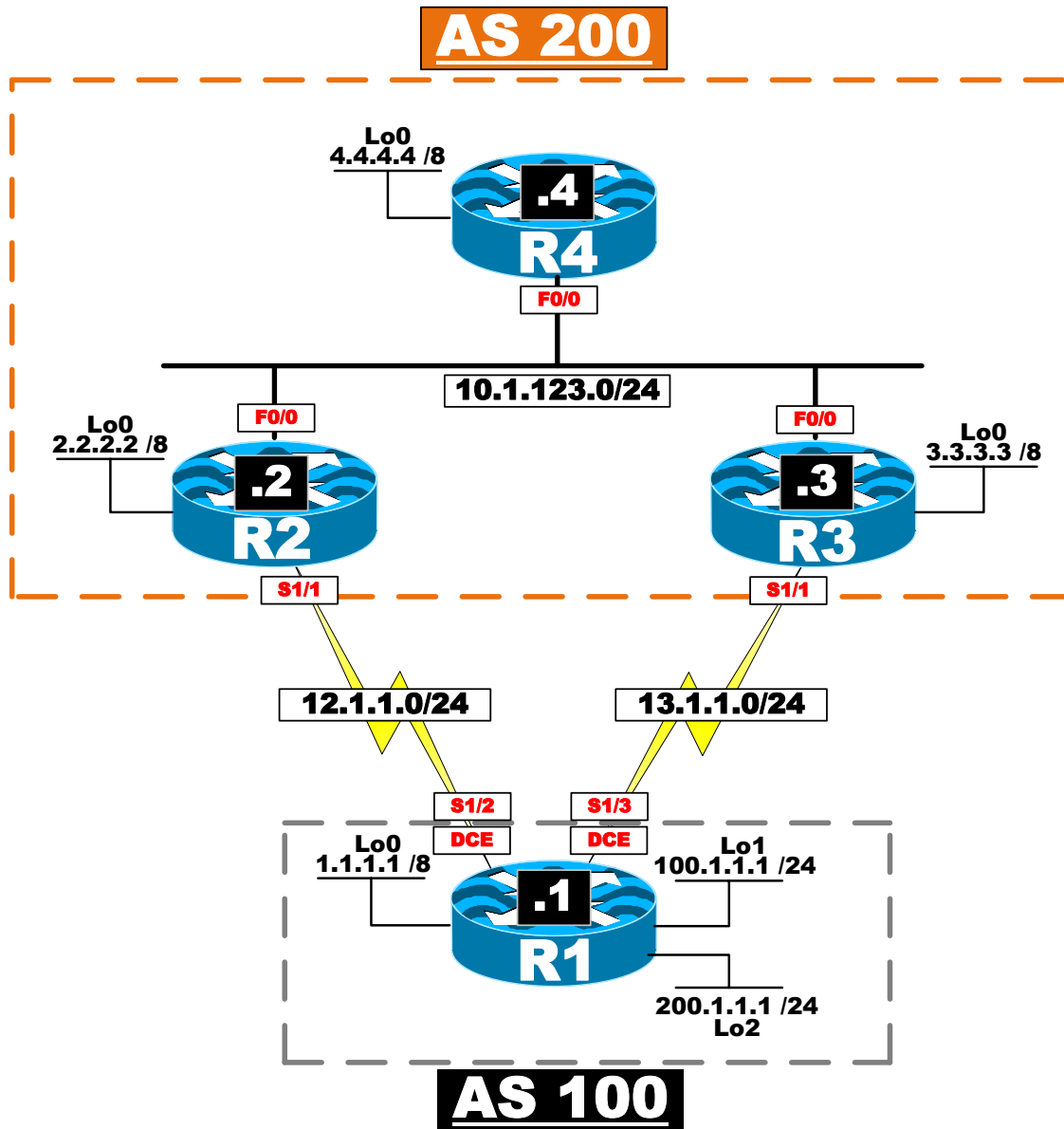
The Community Attribute



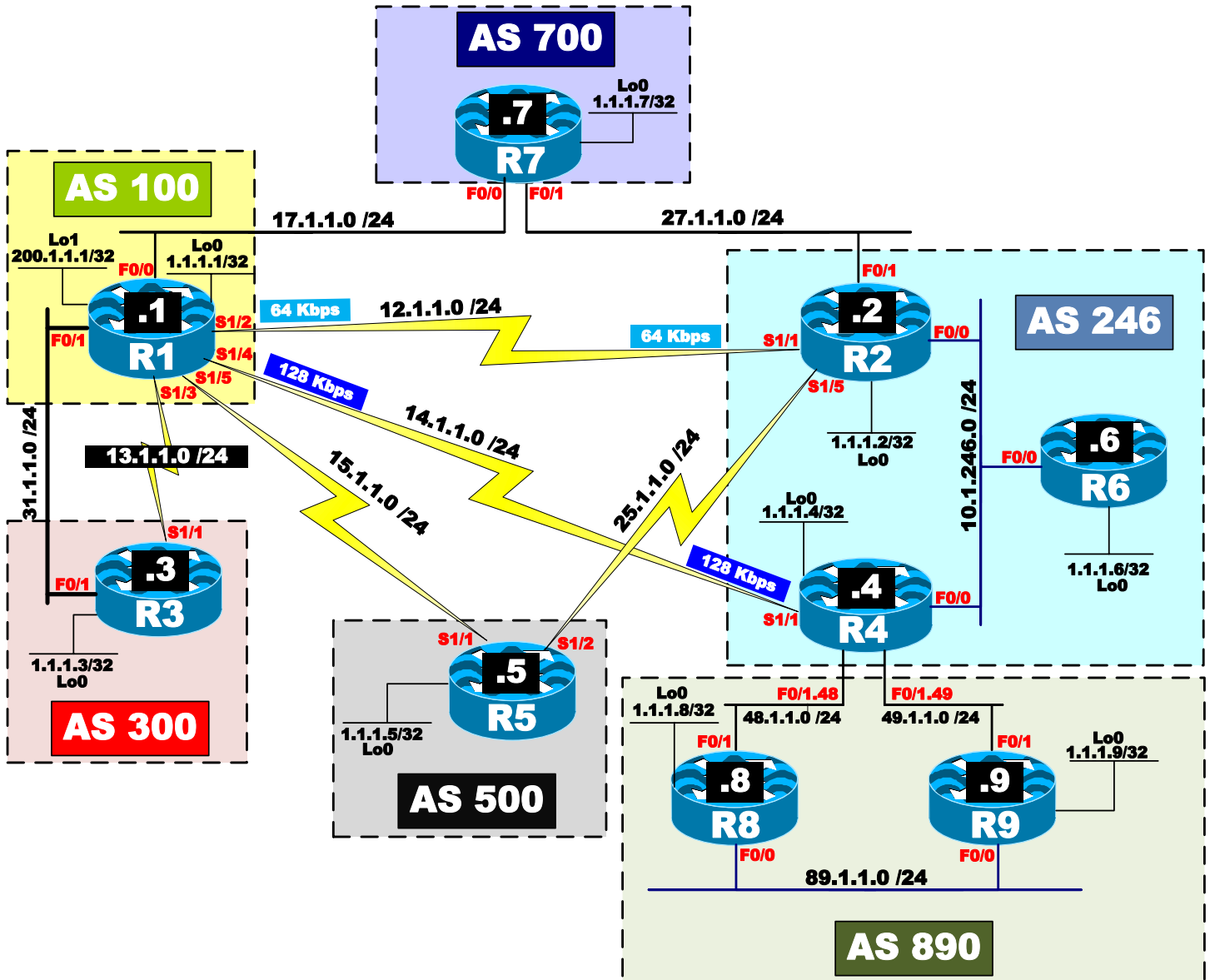
Task 7



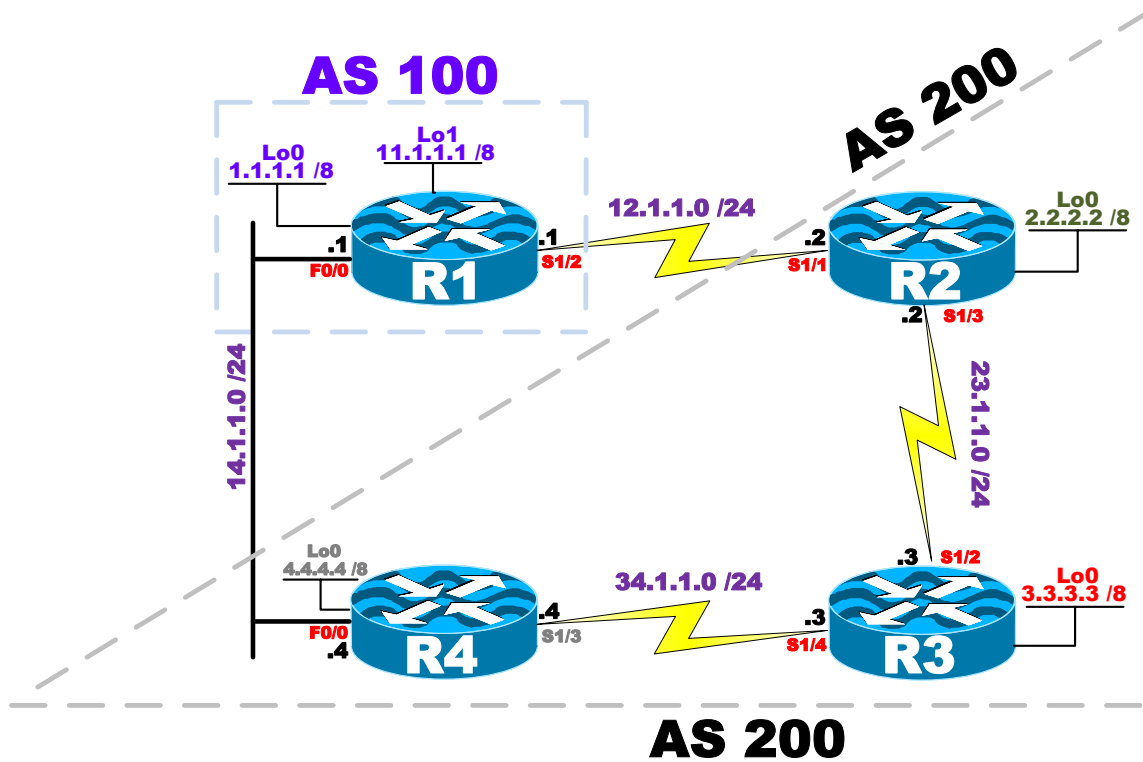
Lab 7 – BGP Cost Community



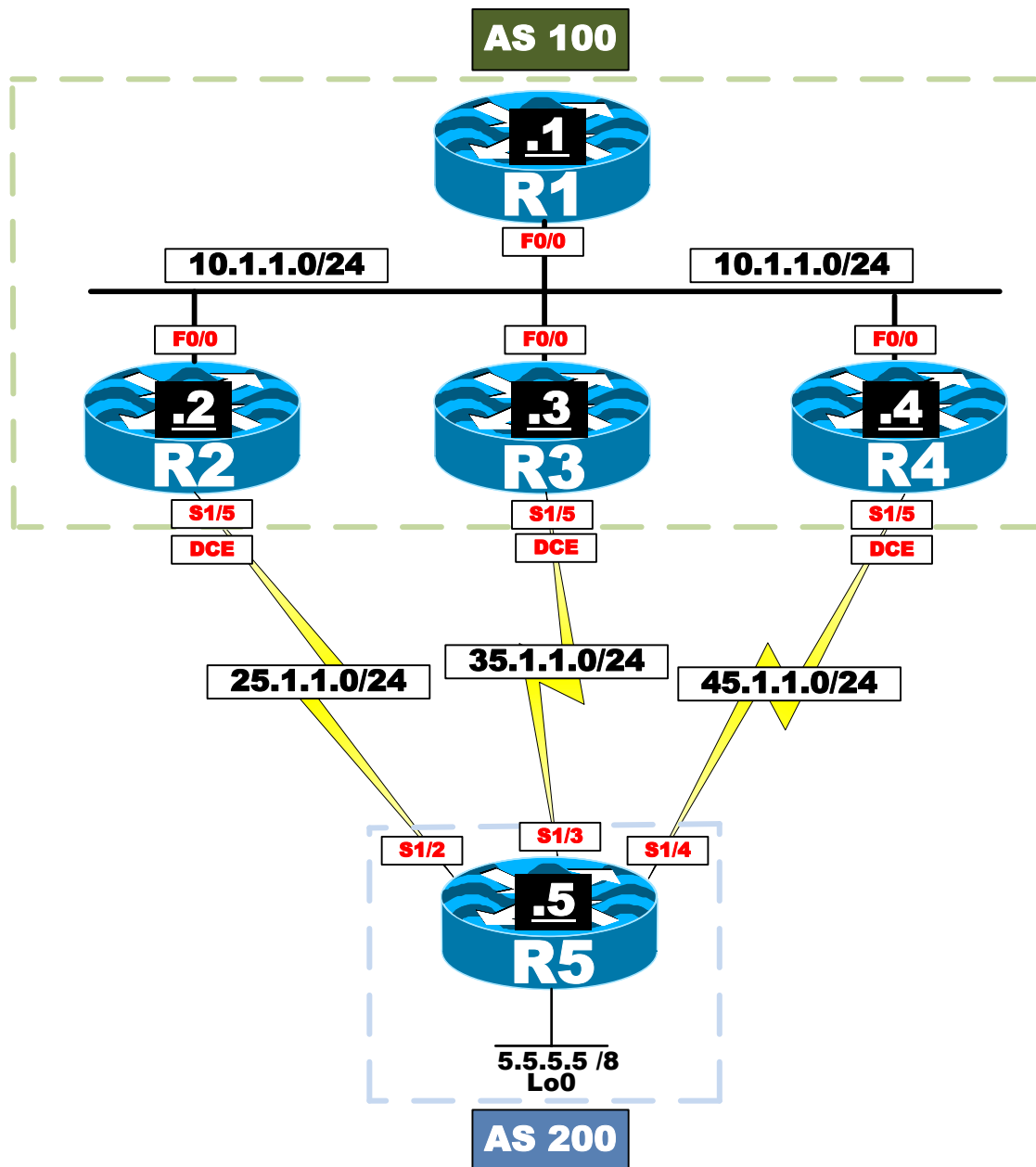
Lab 8 - BGP Load Balancing



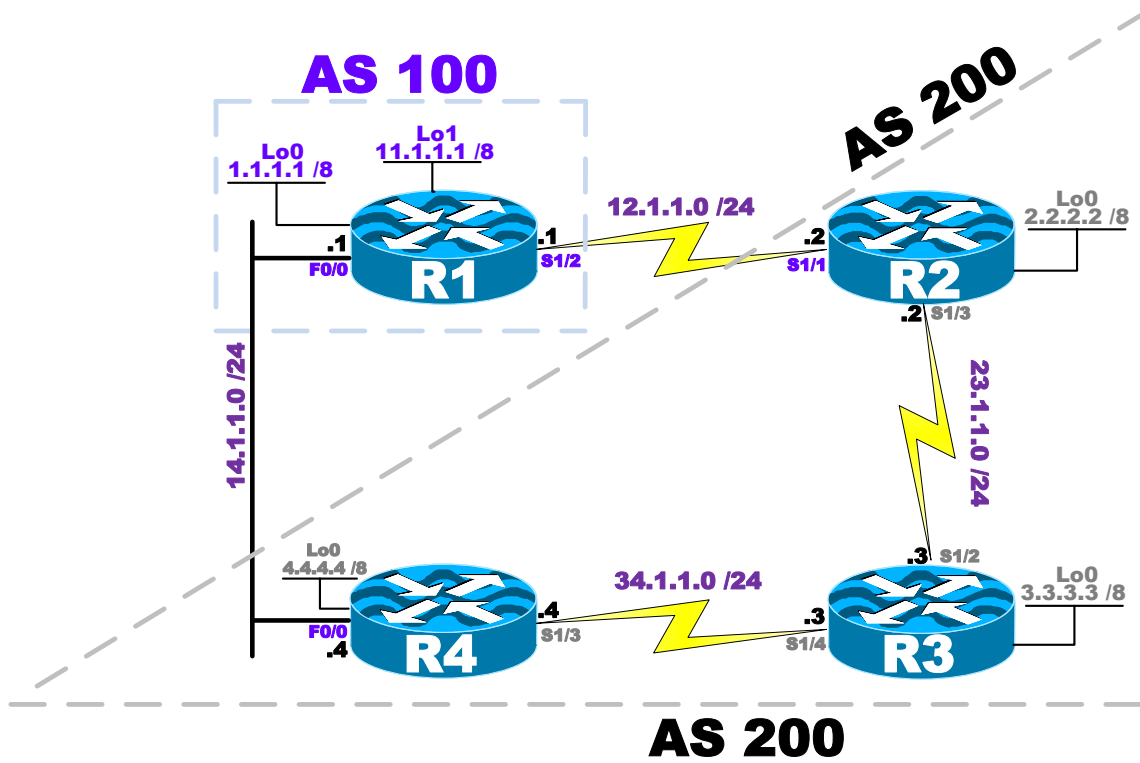
Lab 9 - Local-Preference -I



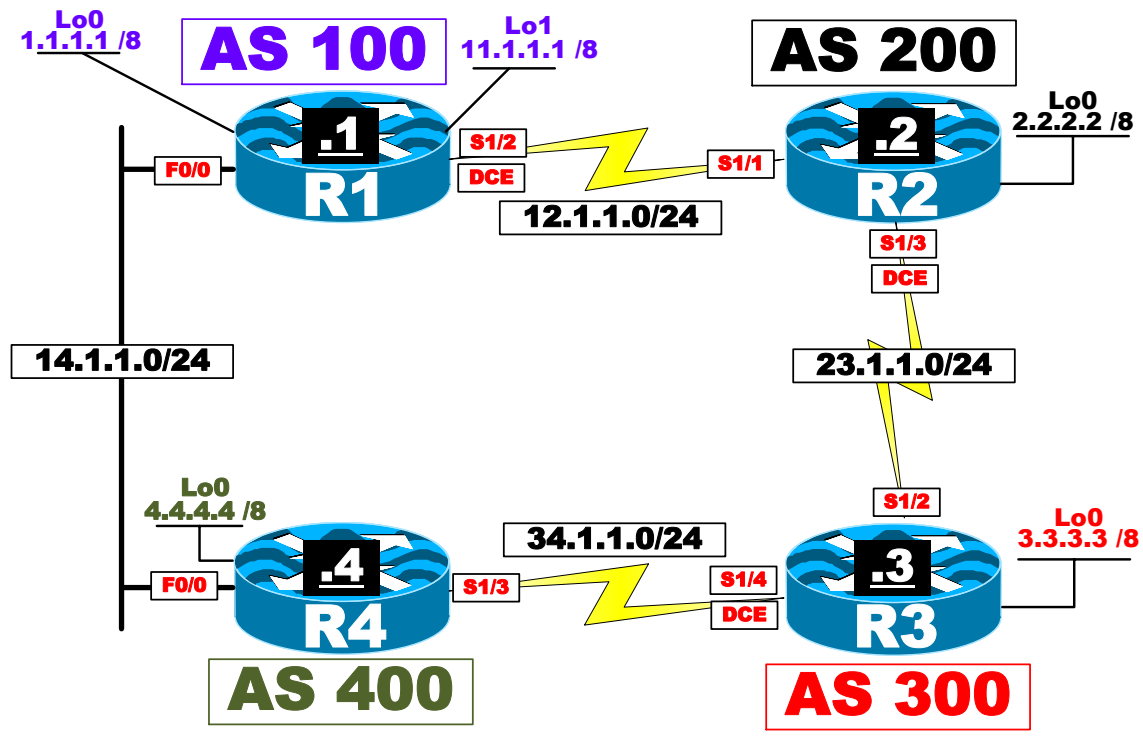
Lab 10 – BGP Local-Preference - II



Lab 11 - The AS-Path Attribute

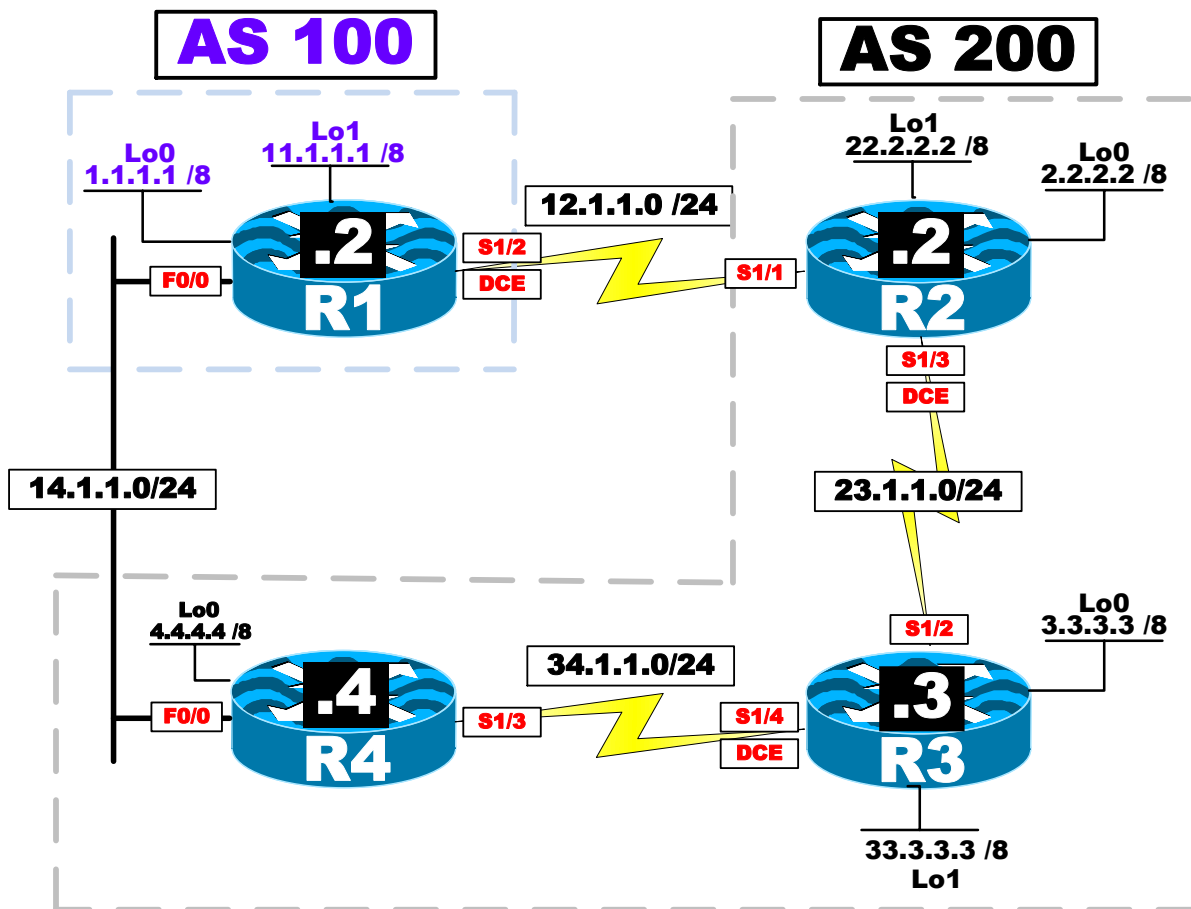


Lab 12 - The Weight Attribute

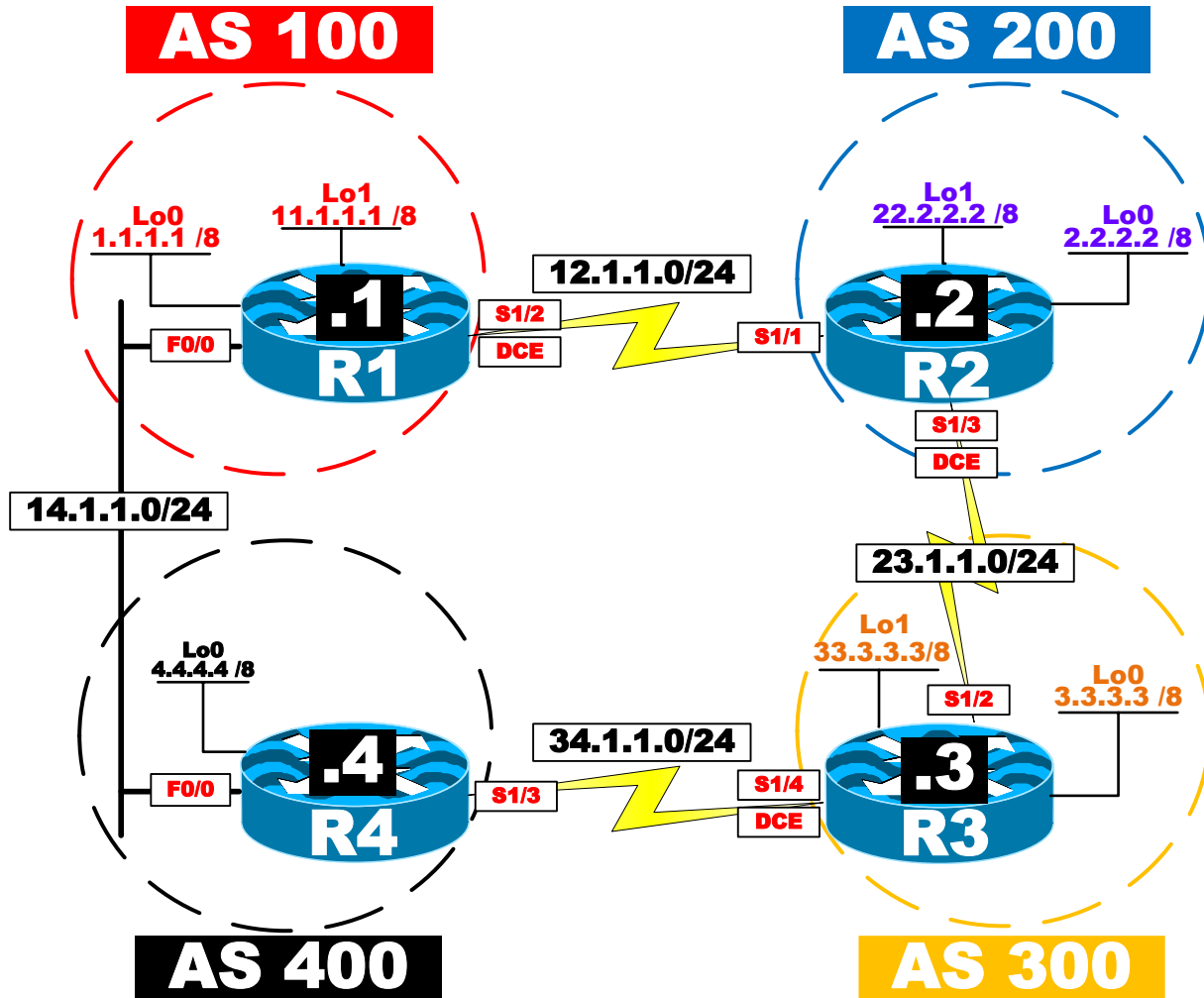


Lab 13

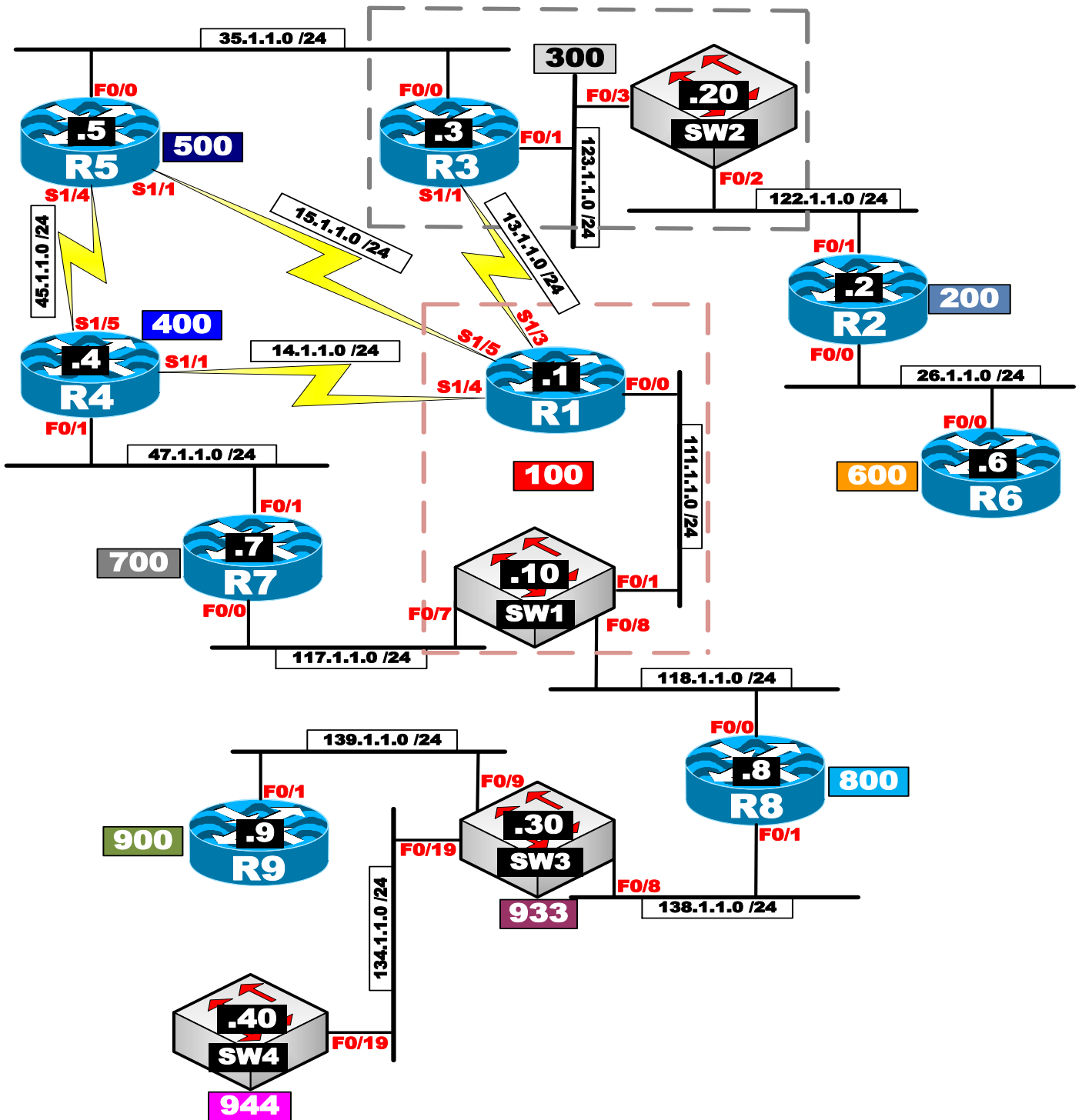
Multi Exit Discriminator Attribute



Task 5

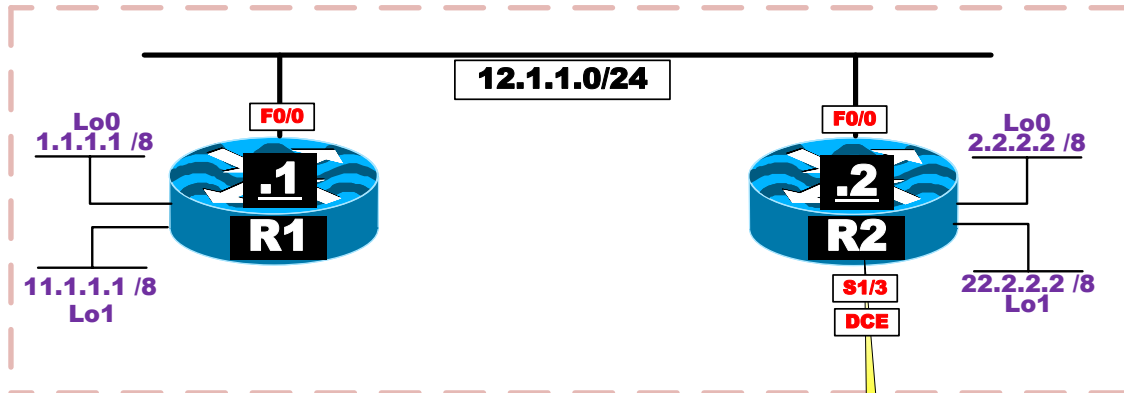


Lab 14 – BGP Filtering

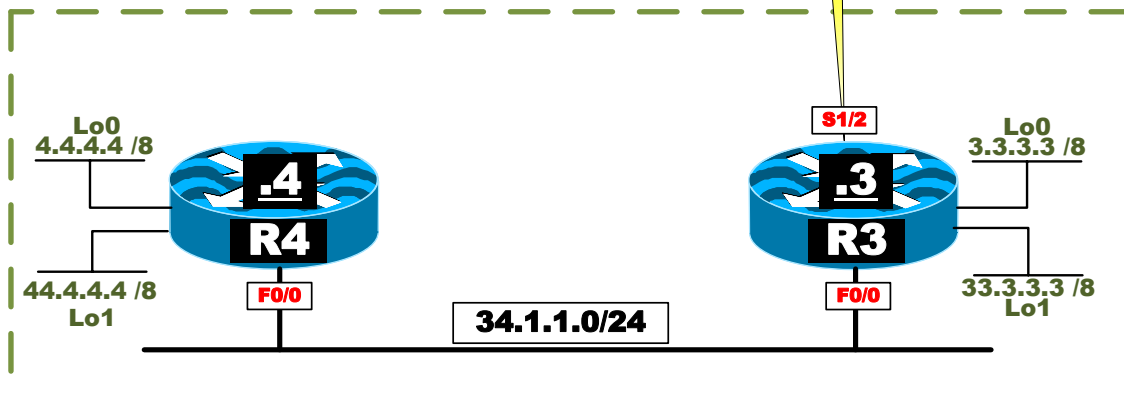


Lab 15 - Administrative Distance

AS 120

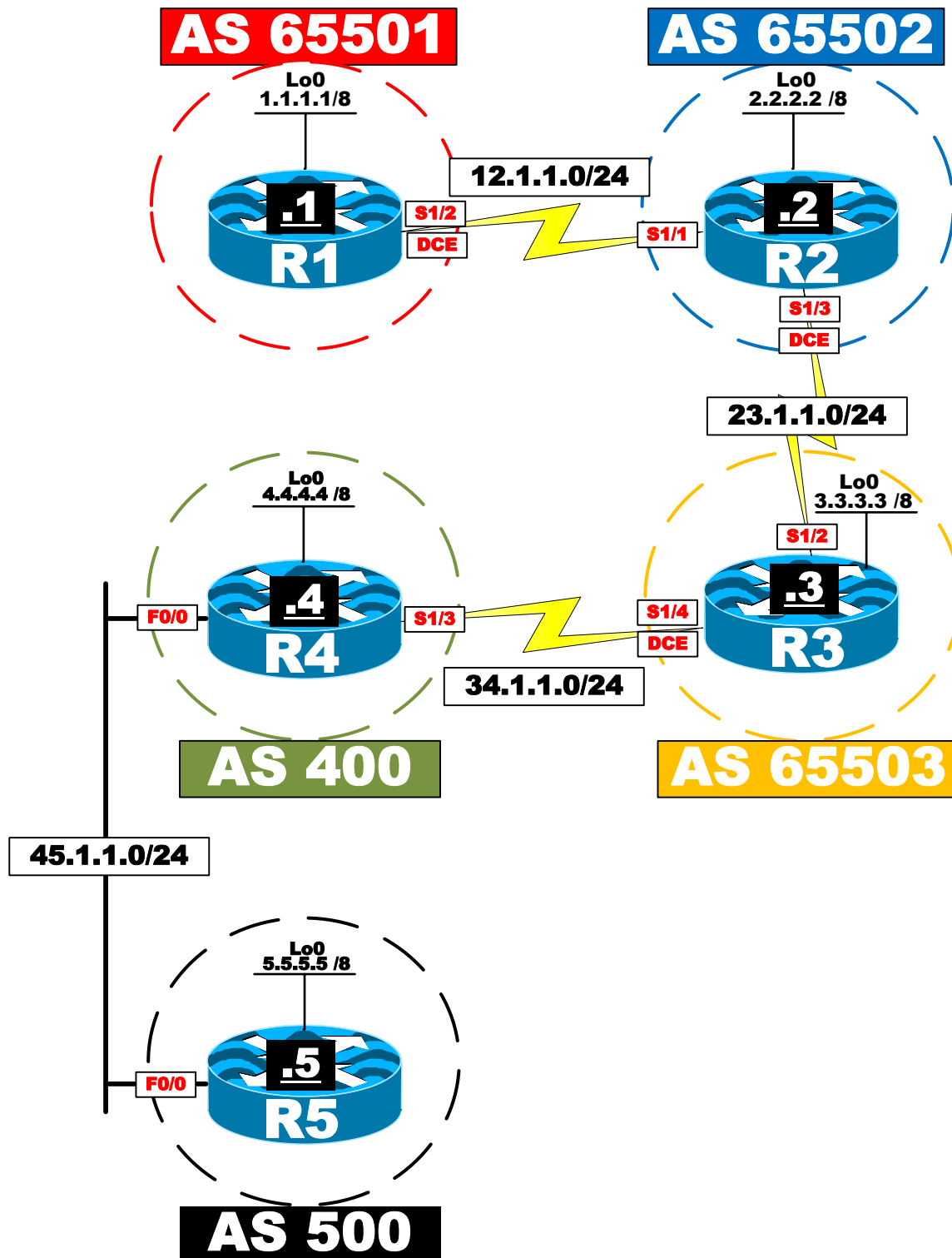


23.1.1.0/24

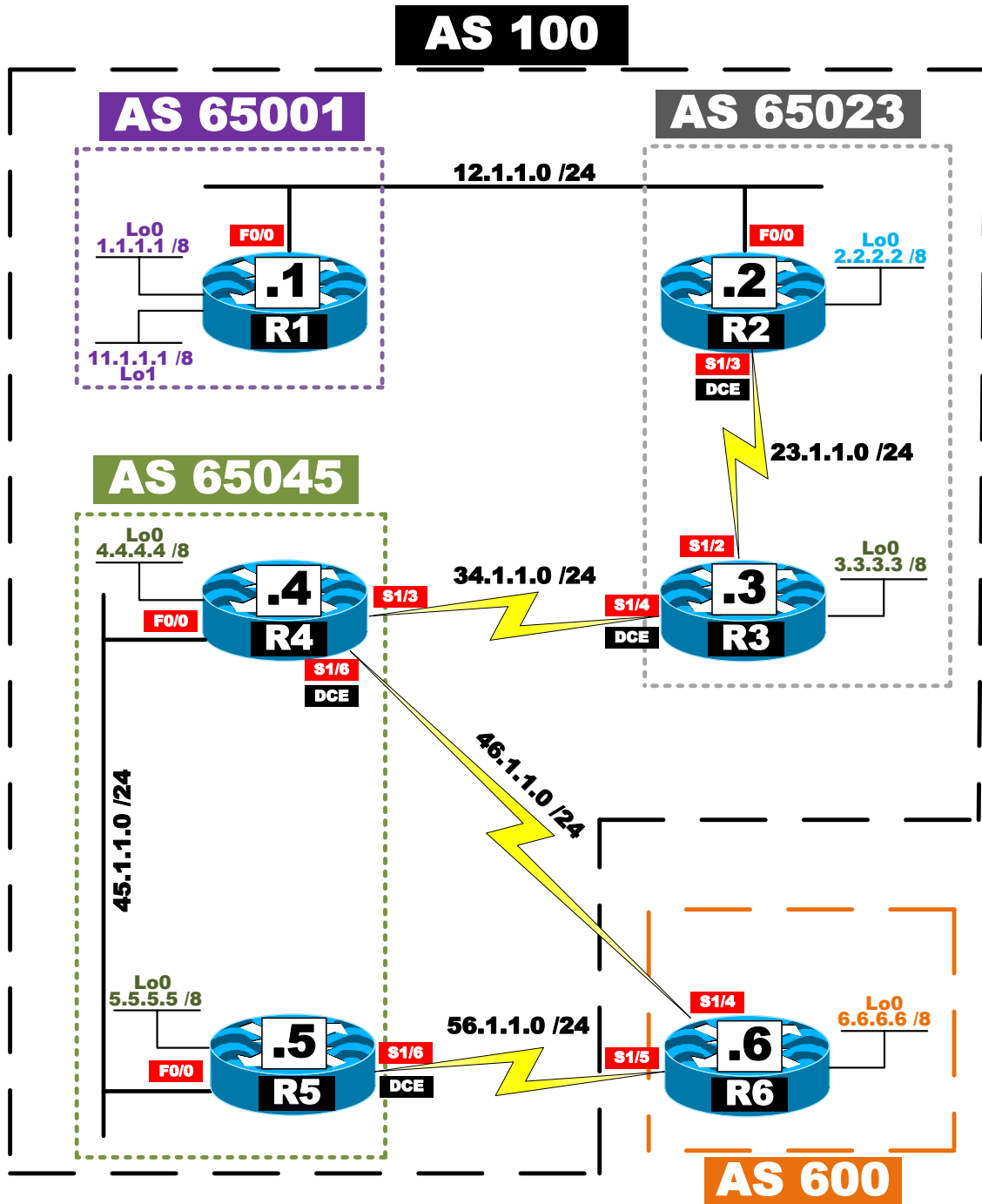


AS 340

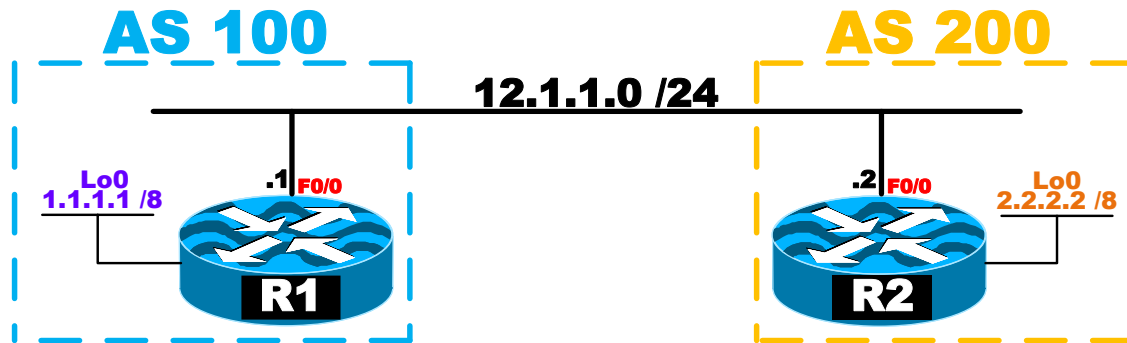
Lab 16 - Advanced BGP Configurations



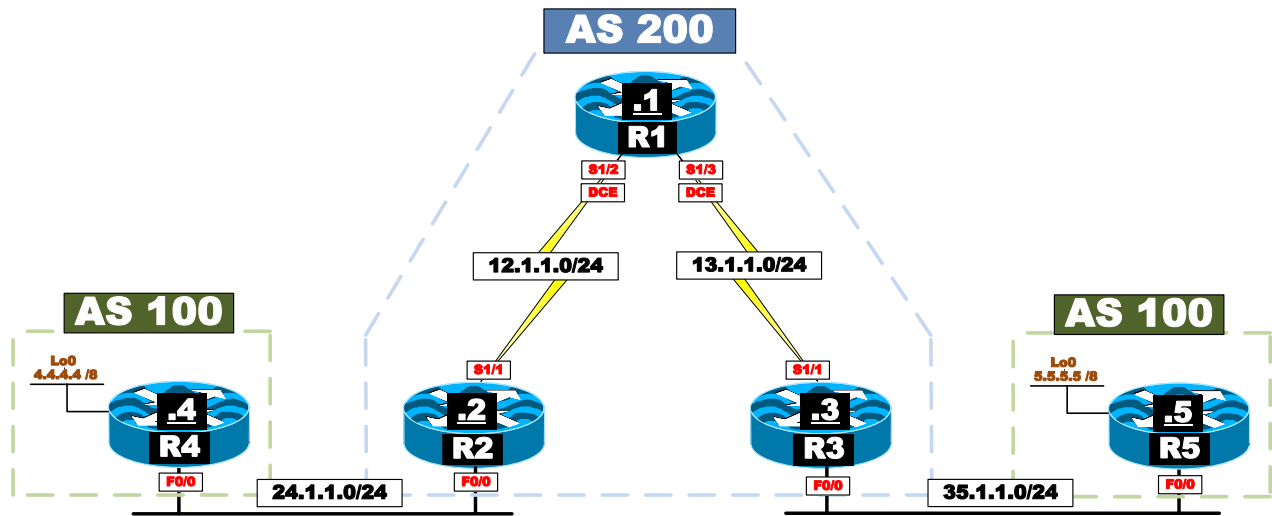
Lab 17 - BGP Confederation



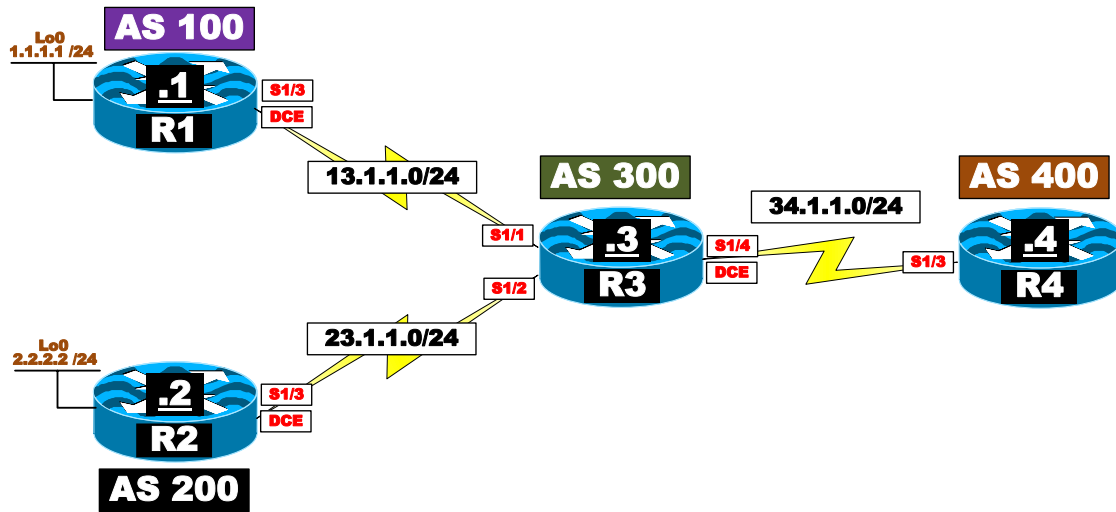
Lab 18 – BGP Hiding Local AS number



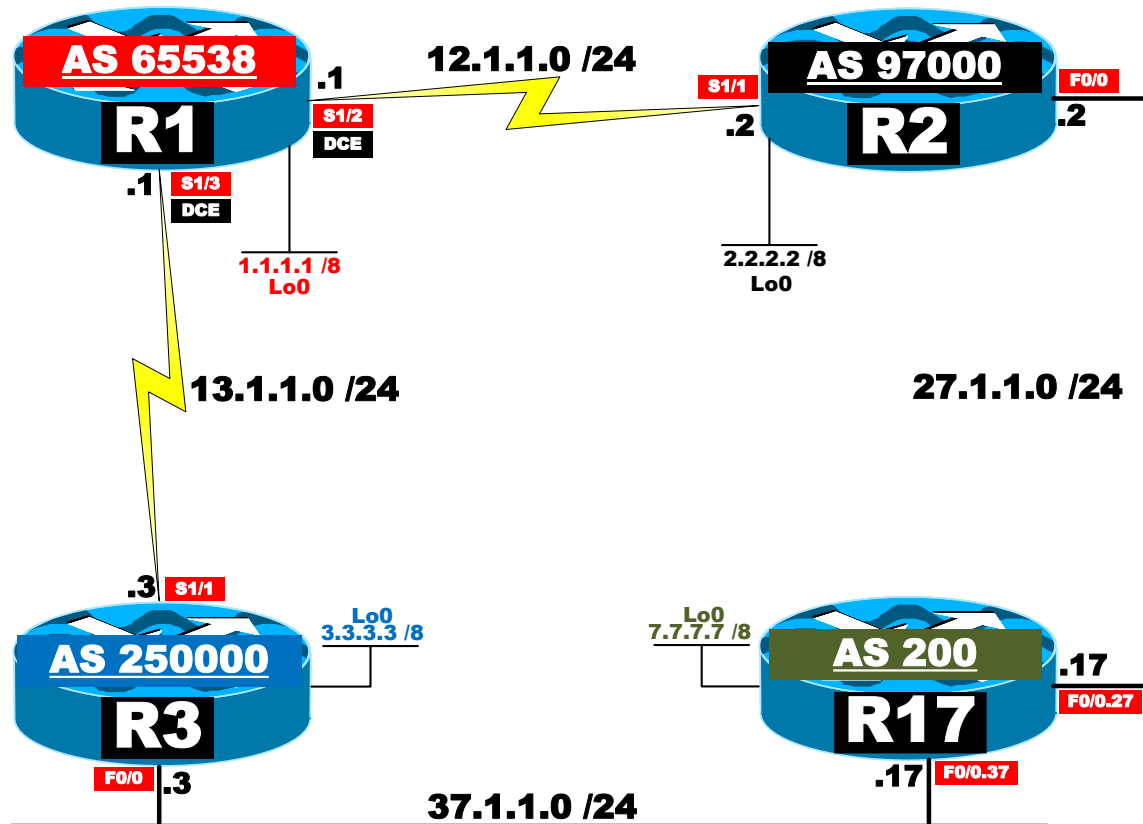
Lab 19 – BGP Allowas-In



Lab 20 – BGP Automatic-tag, AS-path tag and Table-map



Lab 21 – 4 Byte AS Numbers



Advanced CCIE Routing & Switching 5.0

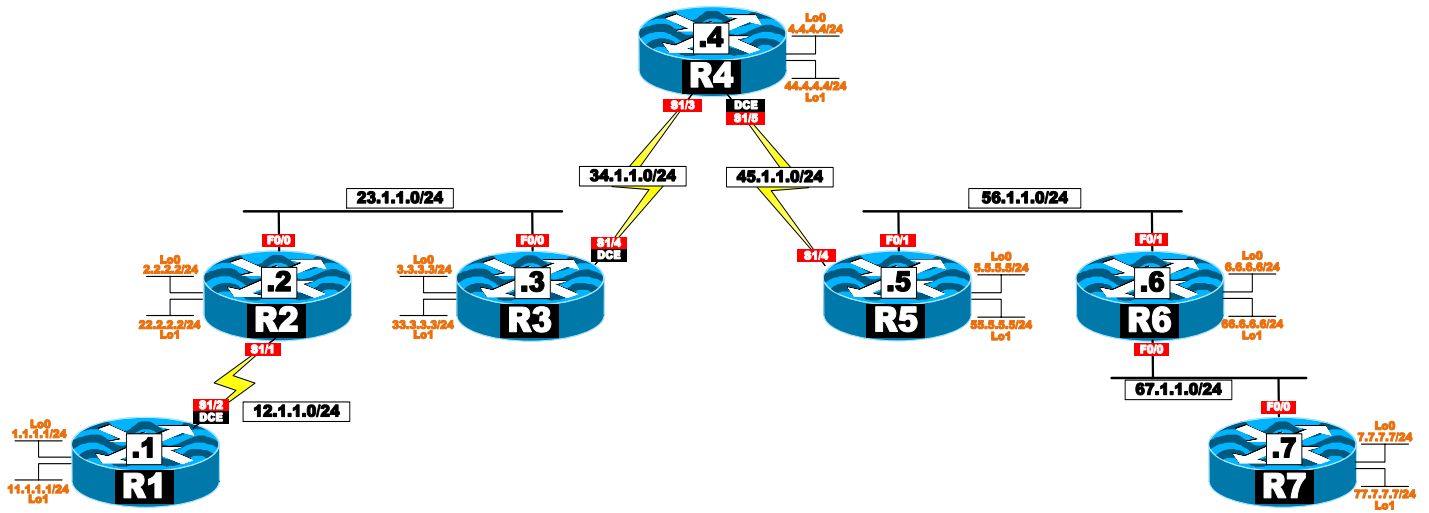
www.MicronicsTraining.com

Narbik Kocharians
CCSI, CCIE #12410
R&S, Security, SP

MPLS & L3VPNs

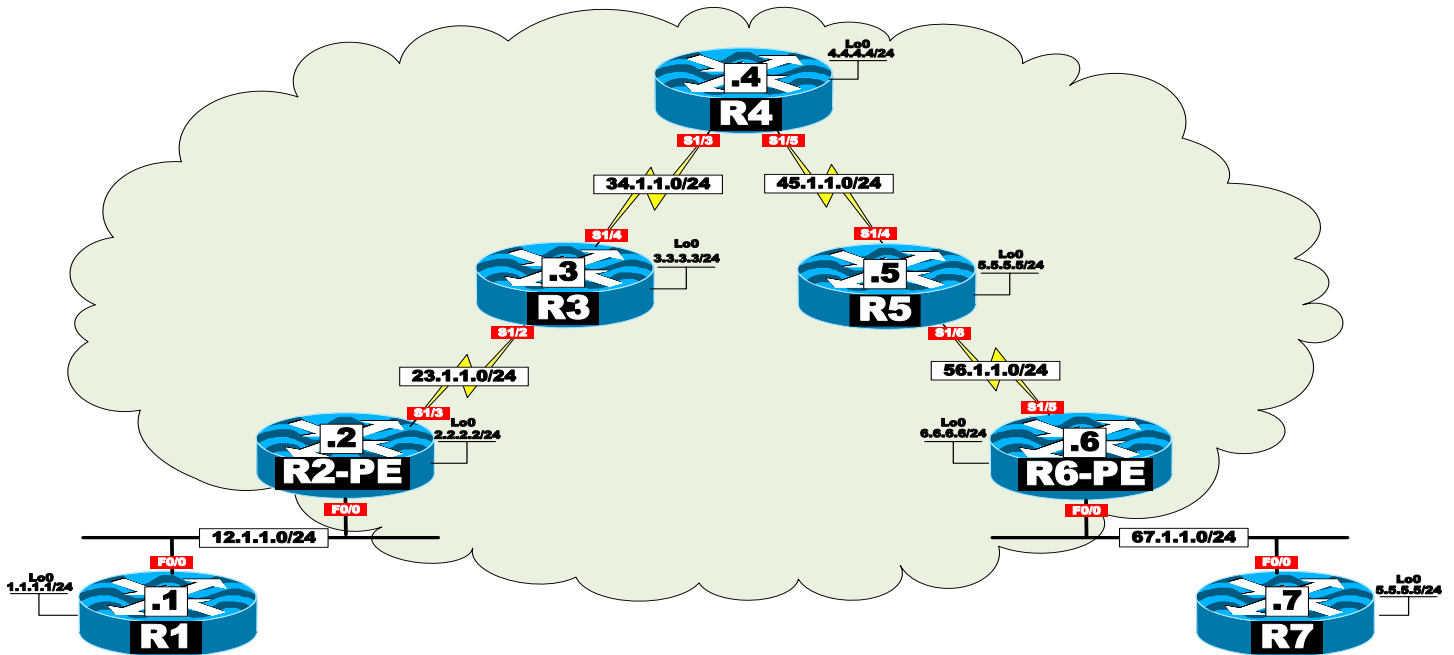
Lab 1

Configuring Label Distribution Protocol

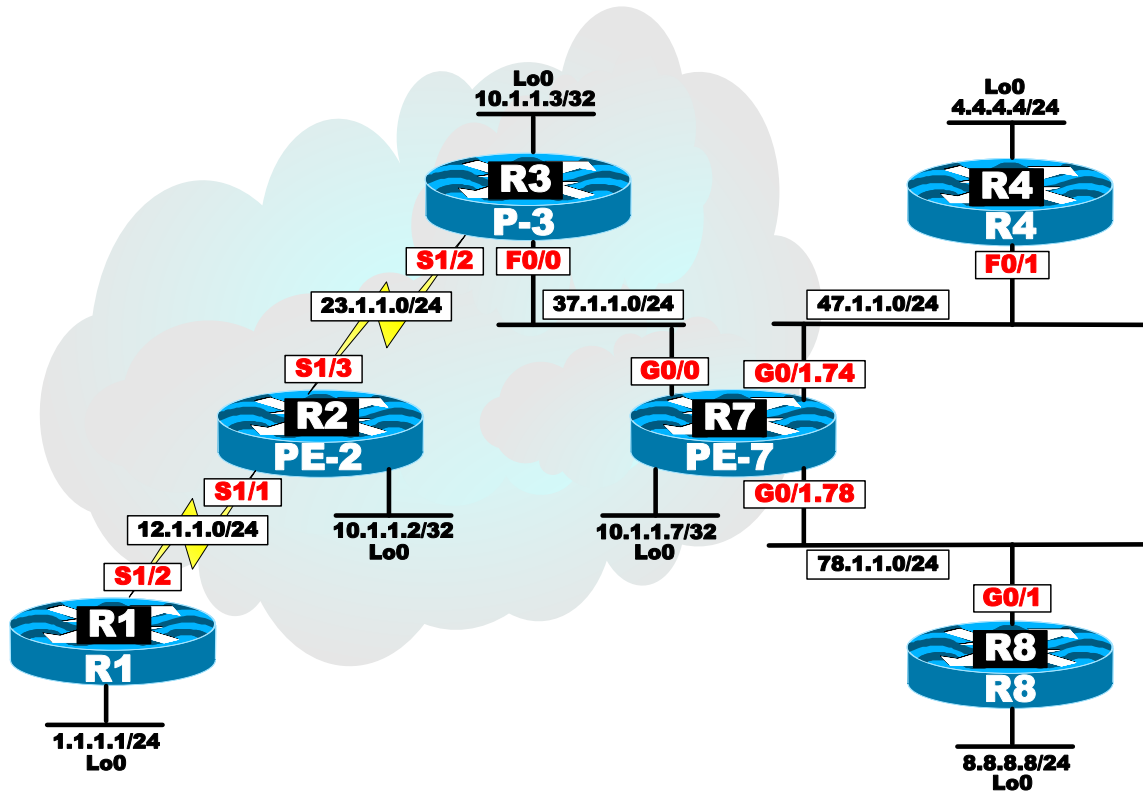


Lab 2

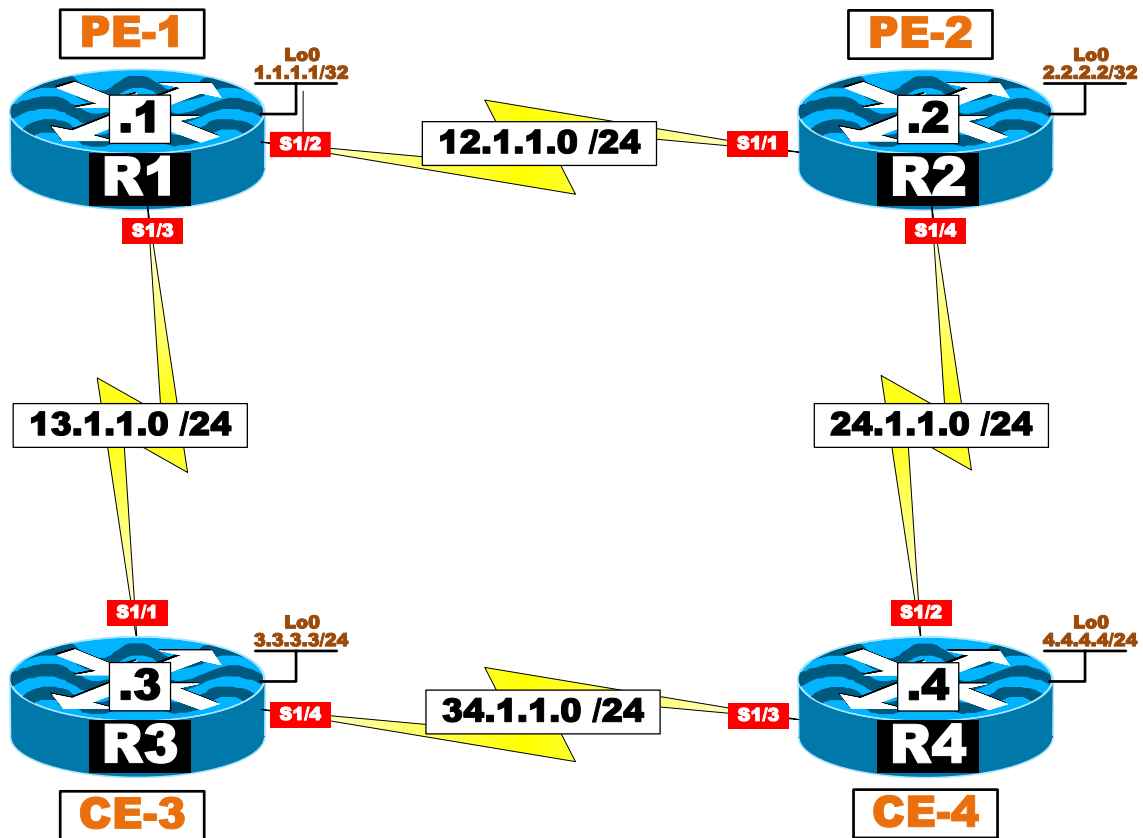
Static & RIPv2 Routing in a VPN



Lab 3 - EIGRP Routing in a VPN

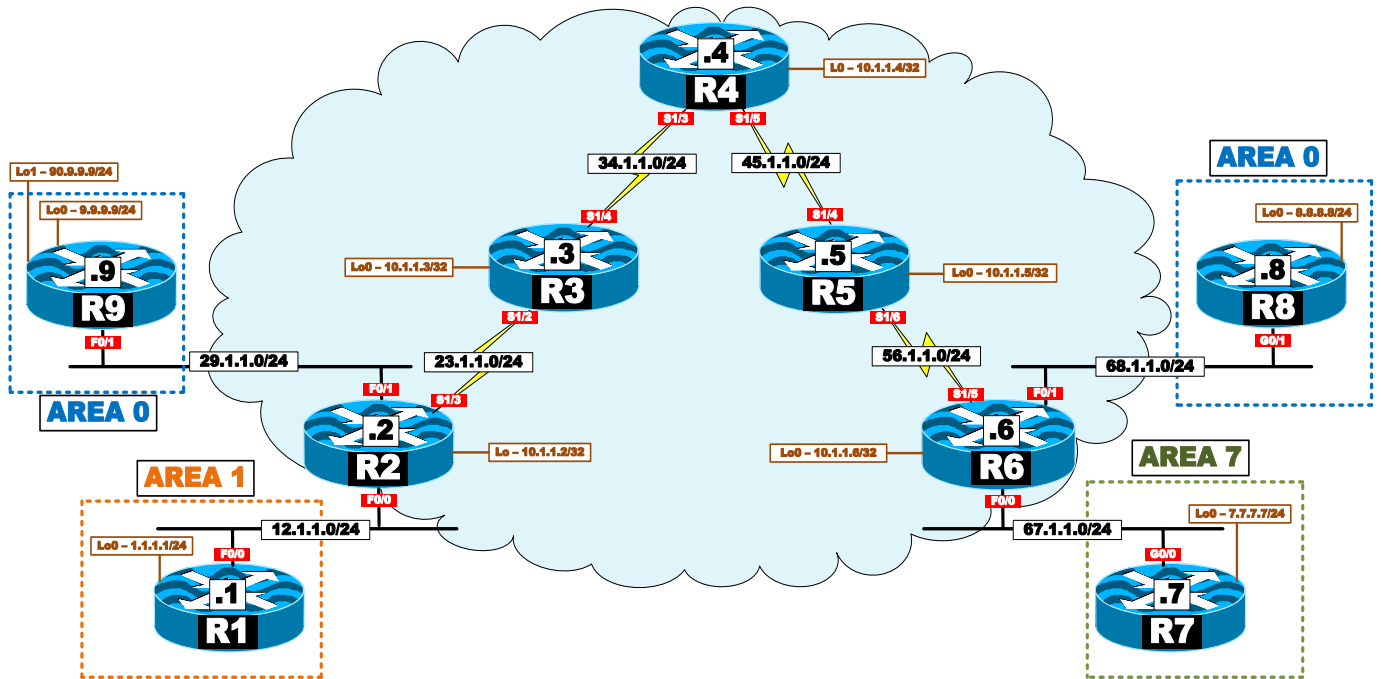


LAB 4 – EIGRP Site-Of-Origin



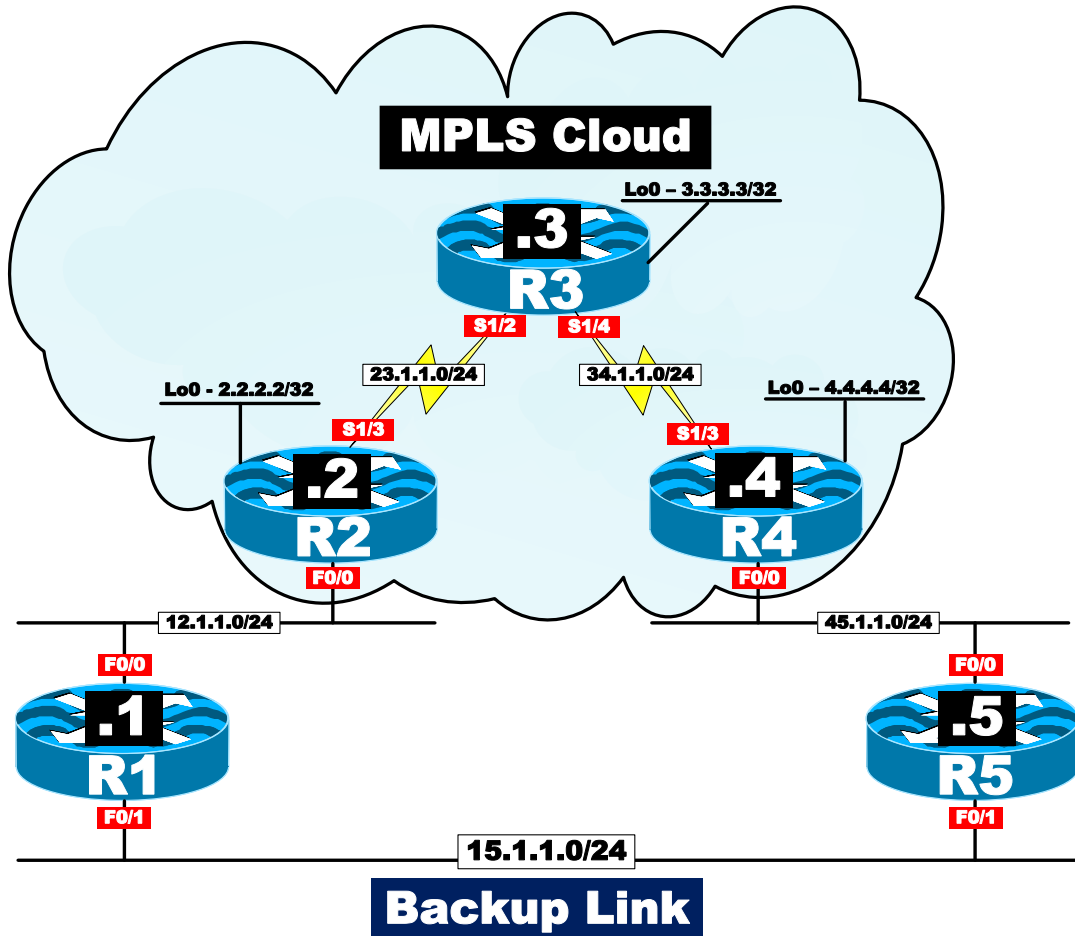
Lab 5

OSPF Routing in a VPN



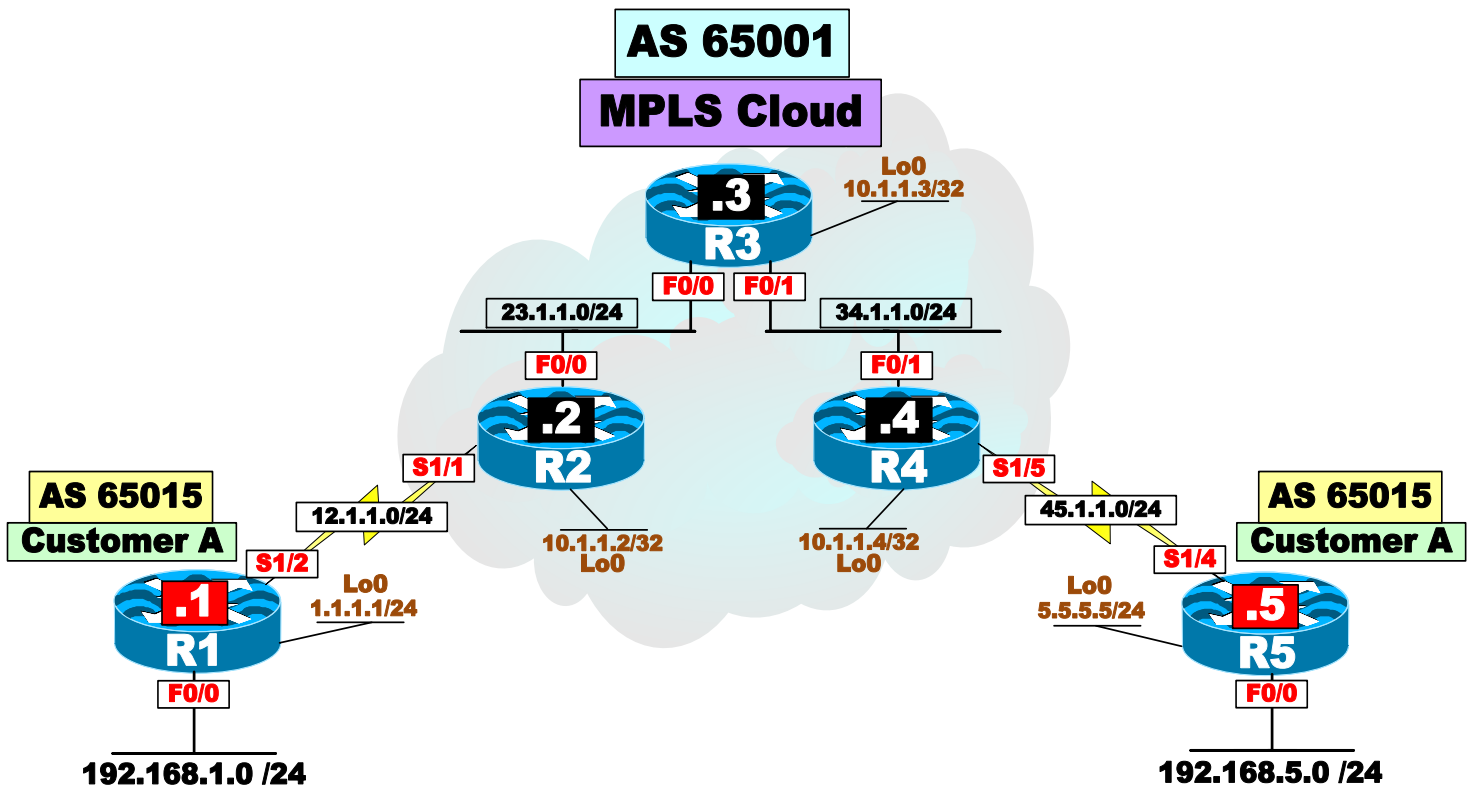
Lab 6

Backdoor Links & OSPF



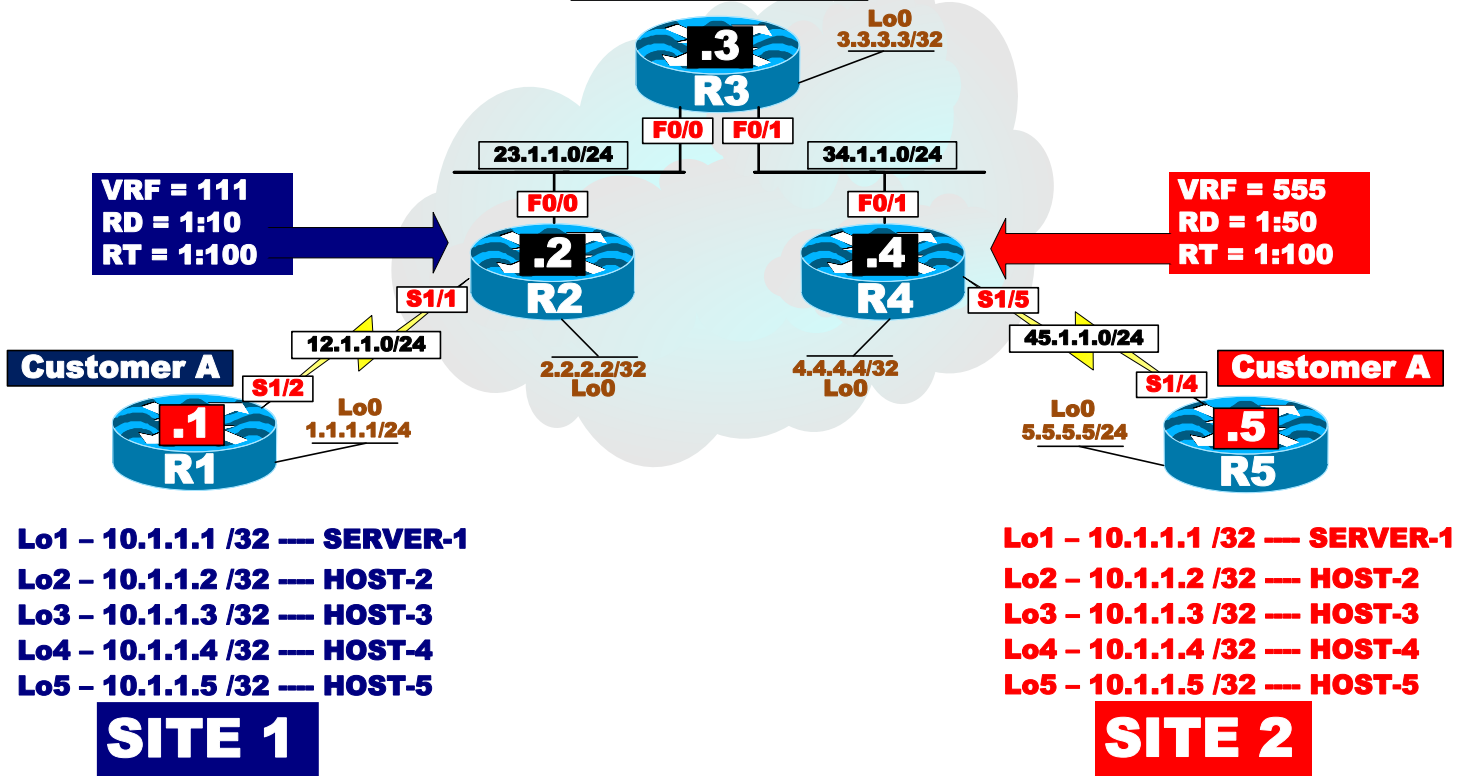
Lab 7

BGP Routing in a VPN



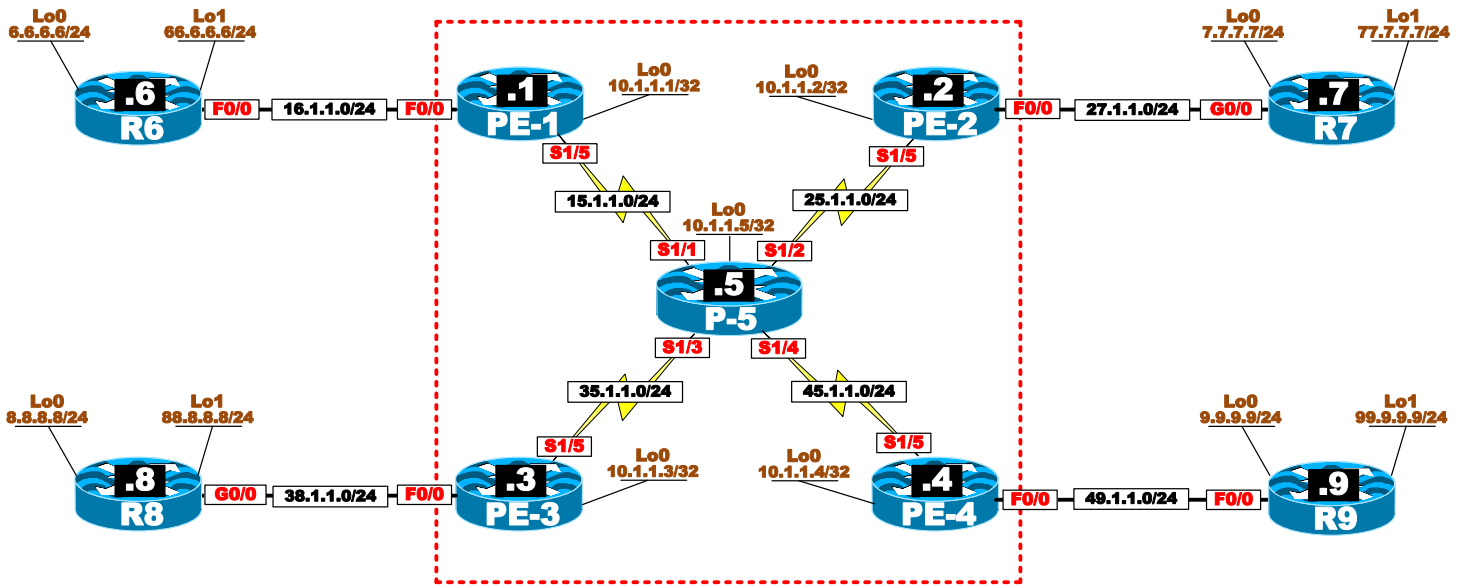
Lab 8 – MPLS and NAT

MPLS Cloud

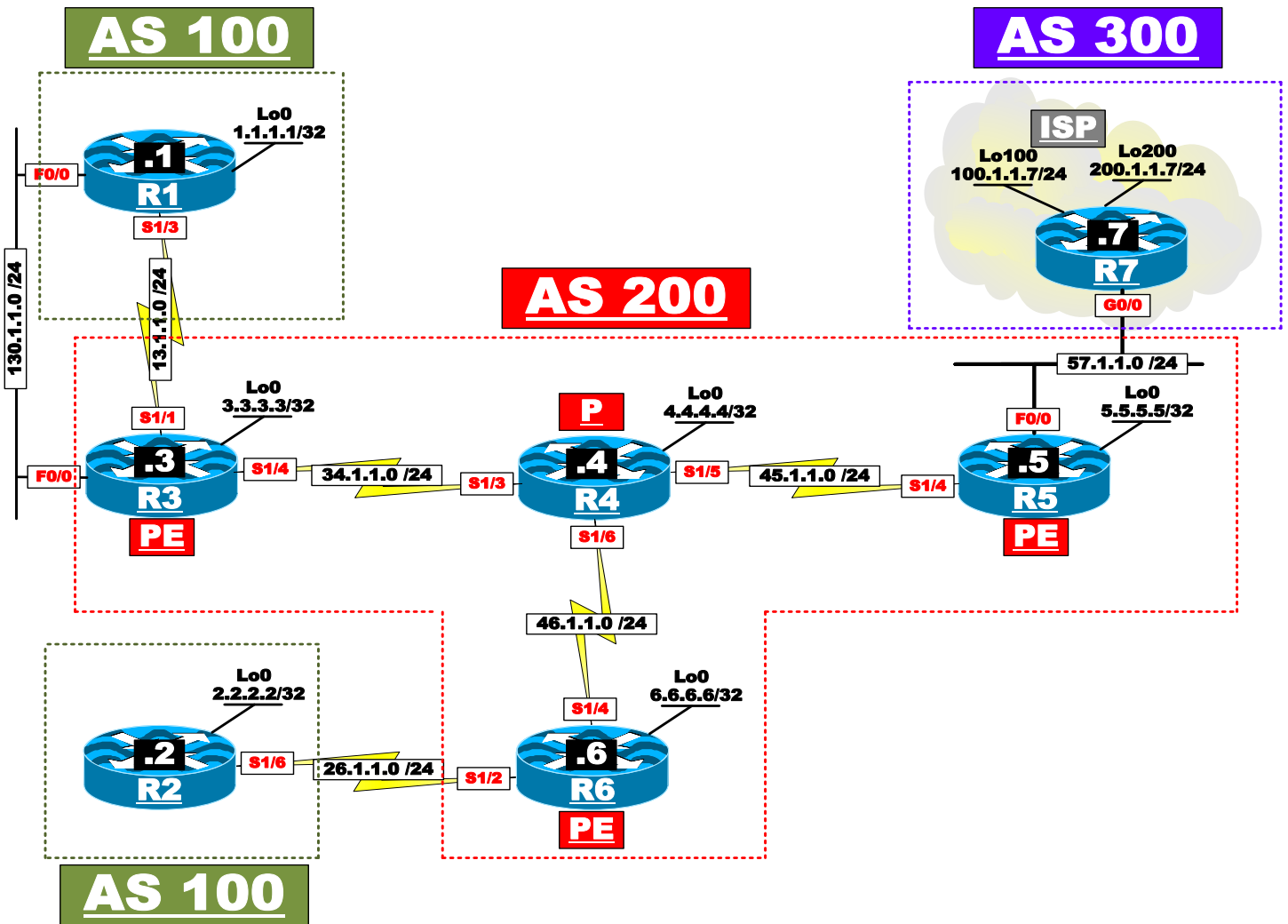


Lab 9

Route-Targets, Import maps and Export maps



LAB 10 - Internet Access methods. Partial Internet Routes



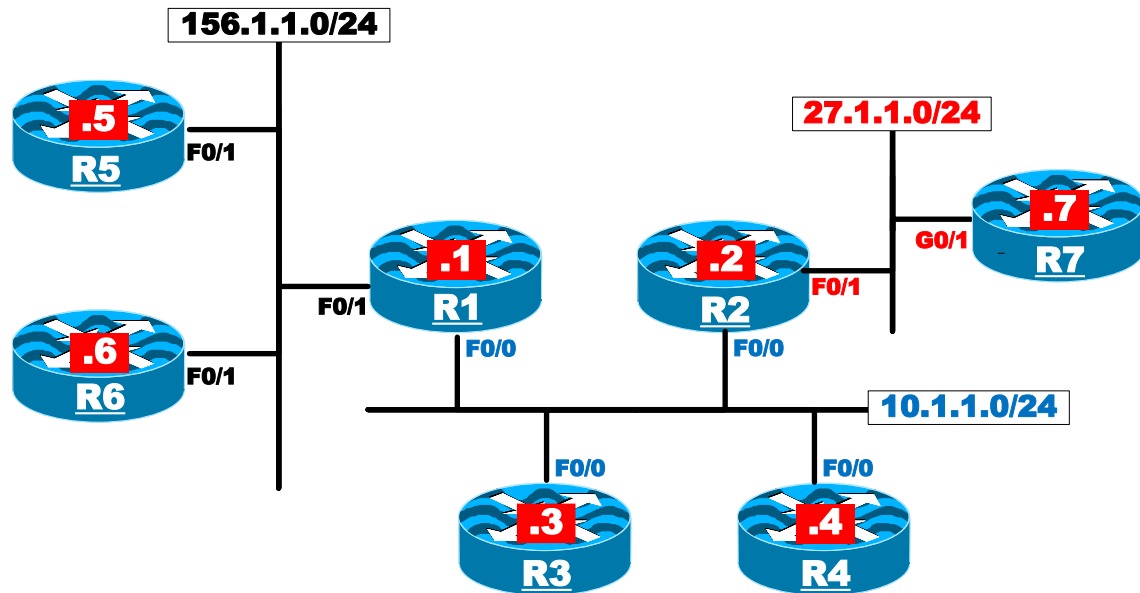
Advanced CCIE Routing & Switching 5.0

www.MicronicsTraining.com

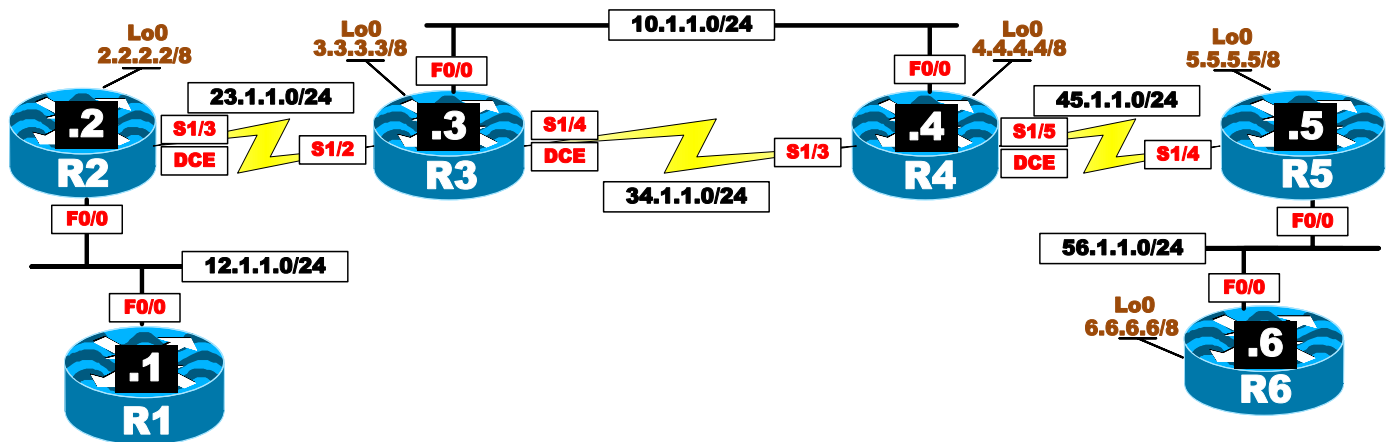
Narbik Kocharians
CCSI, CCIE #12410
R&S, Security, SP

Multicasting

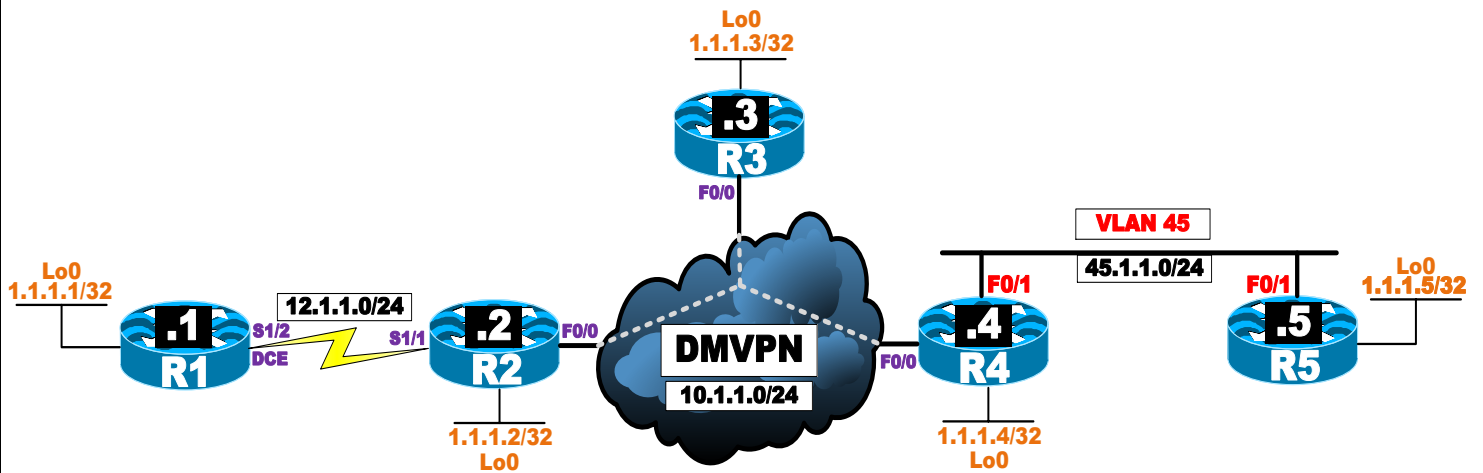
Lab 1 – Configuring IGMP



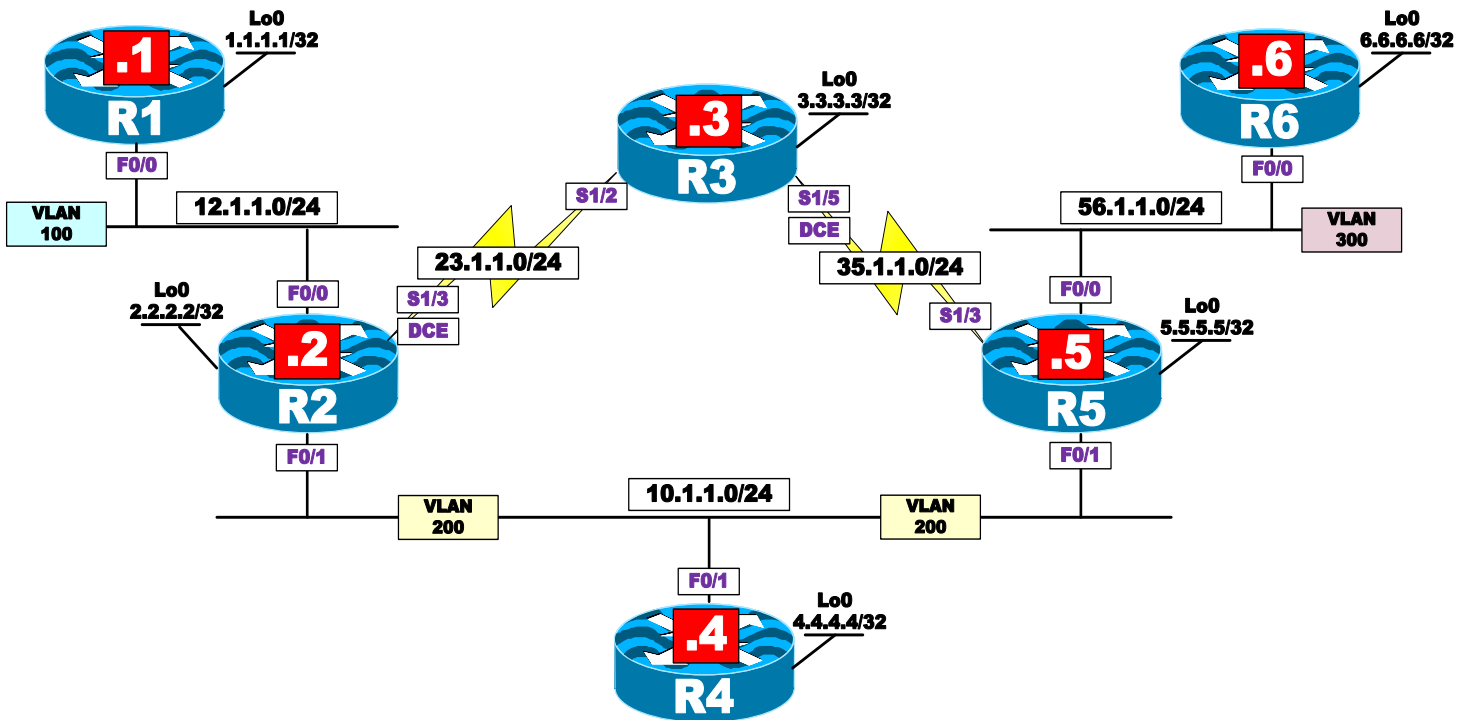
Lab 2 – Dense Mode



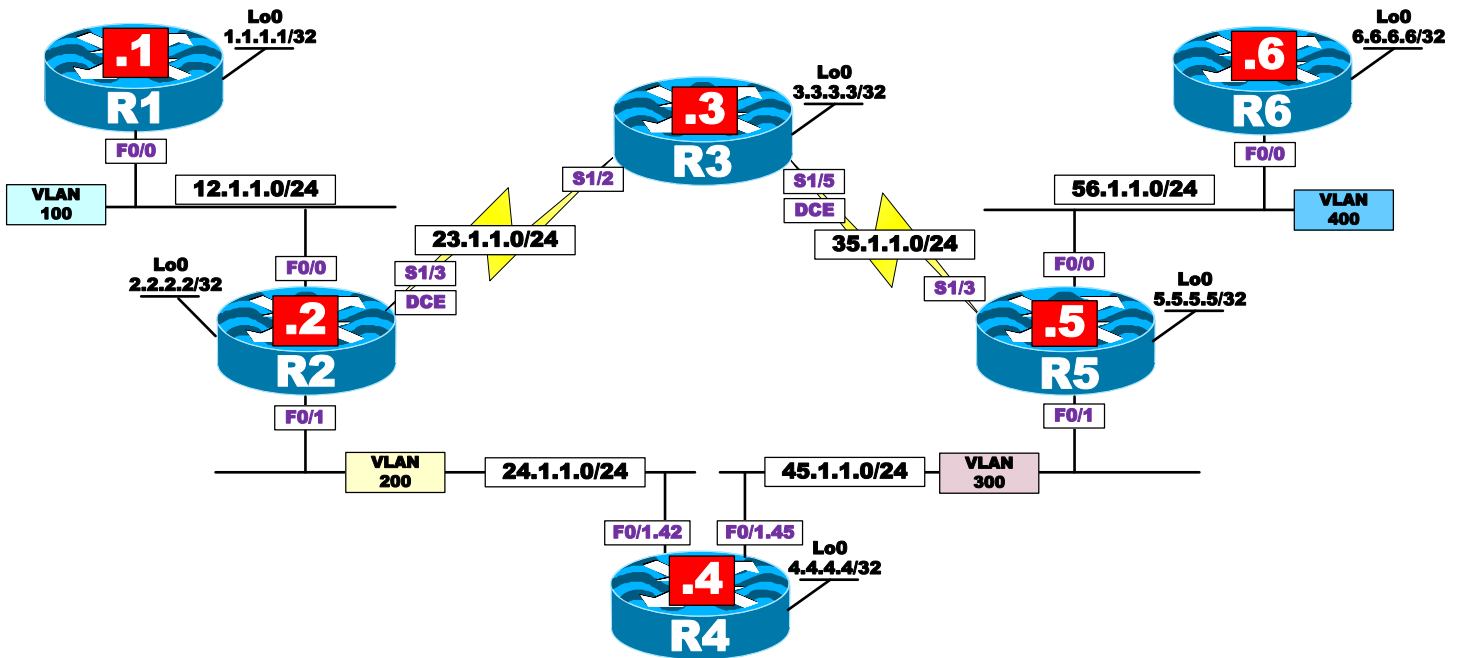
Lab 3 – Static RP Configuration



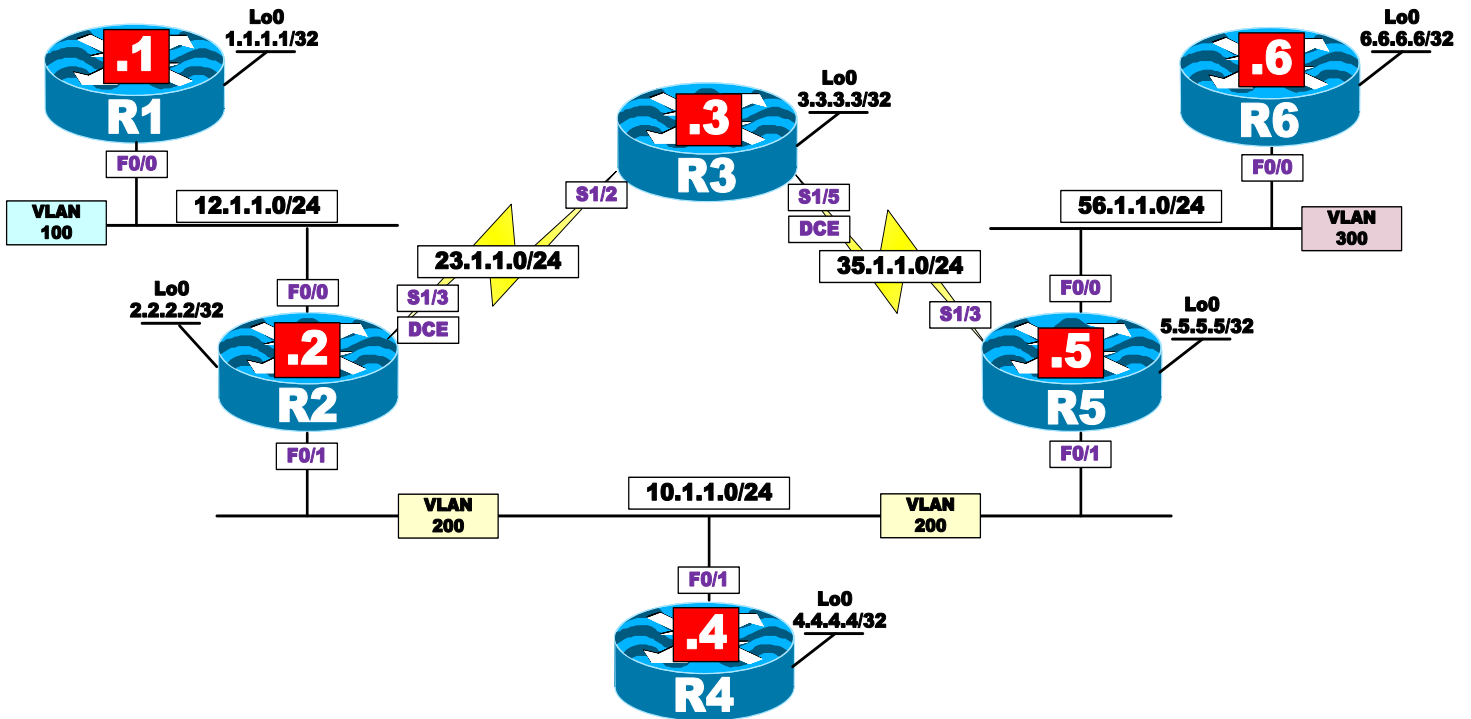
Lab 4 – Auto-RP



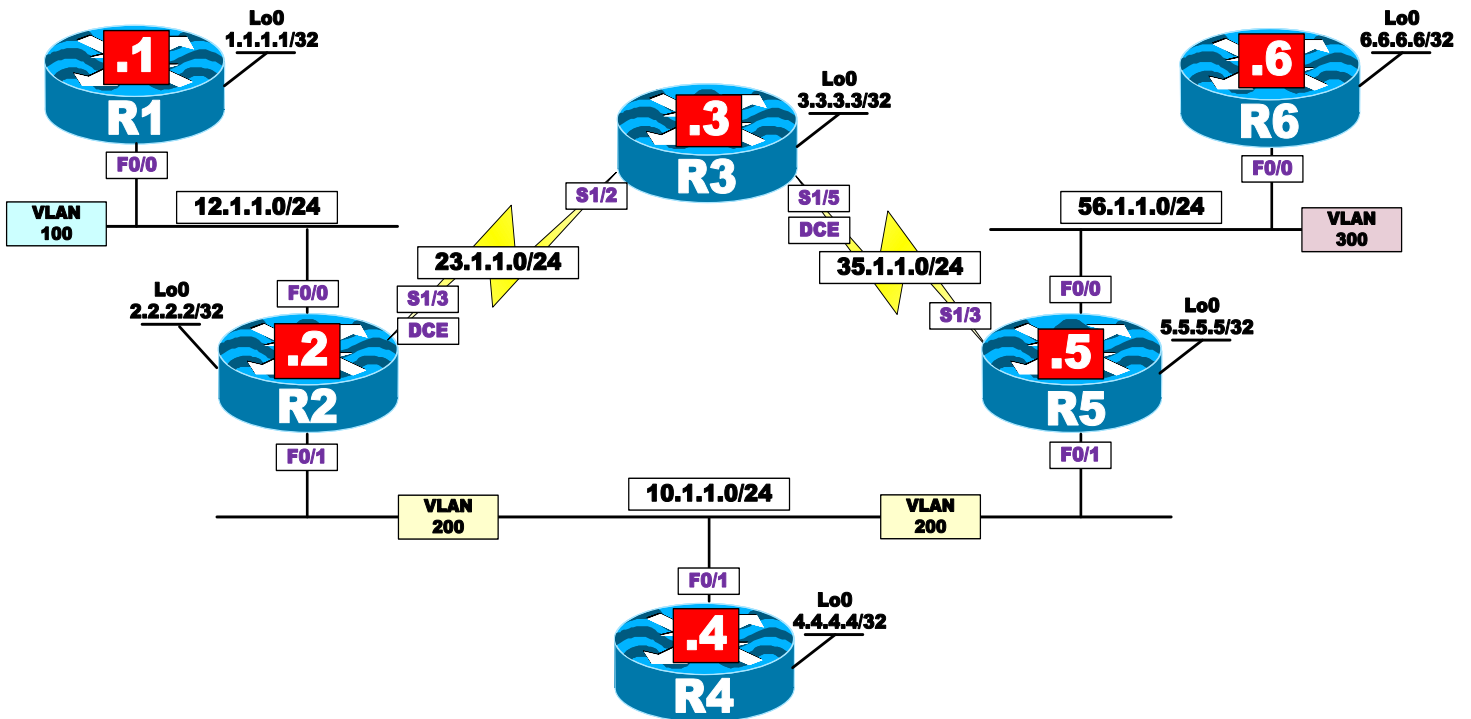
Lab 5 – Auto-RP Filtering & Listener



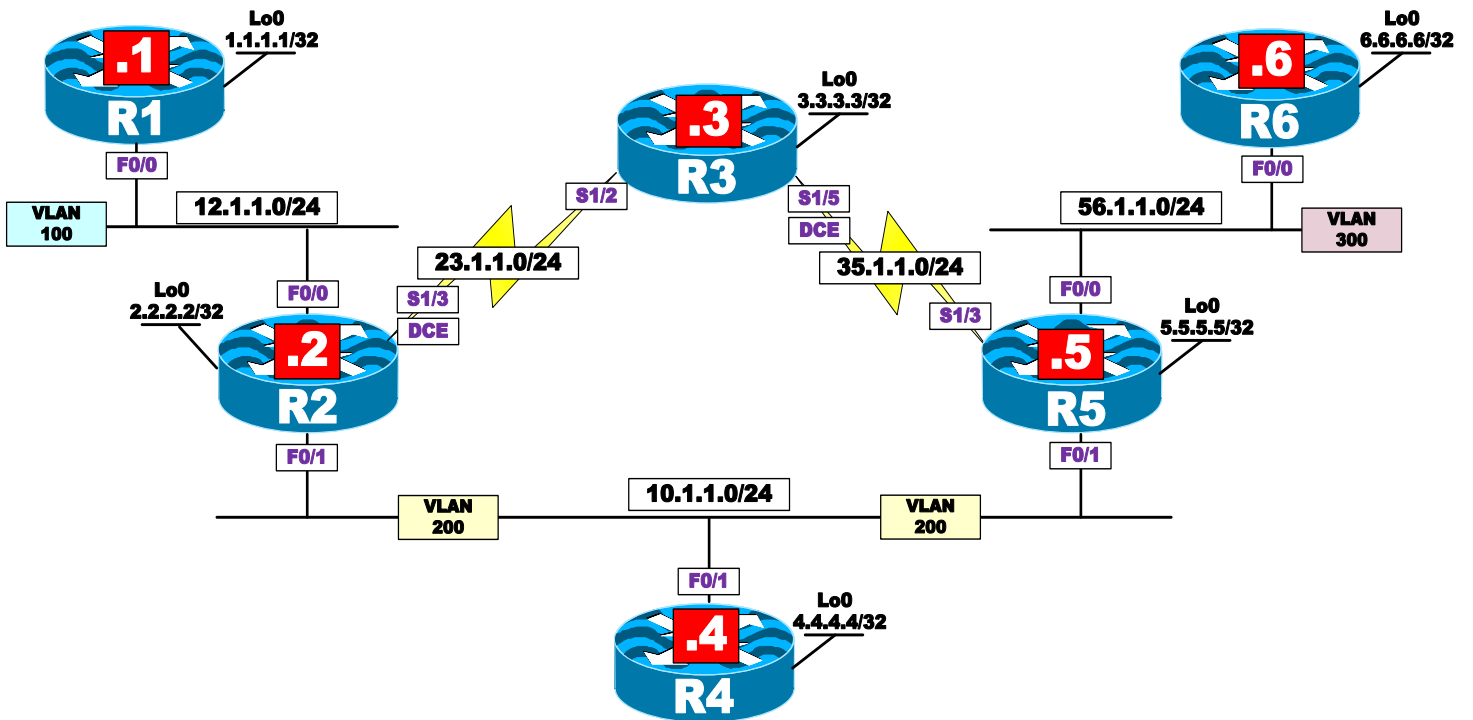
Lab 6 – Configuring BSR



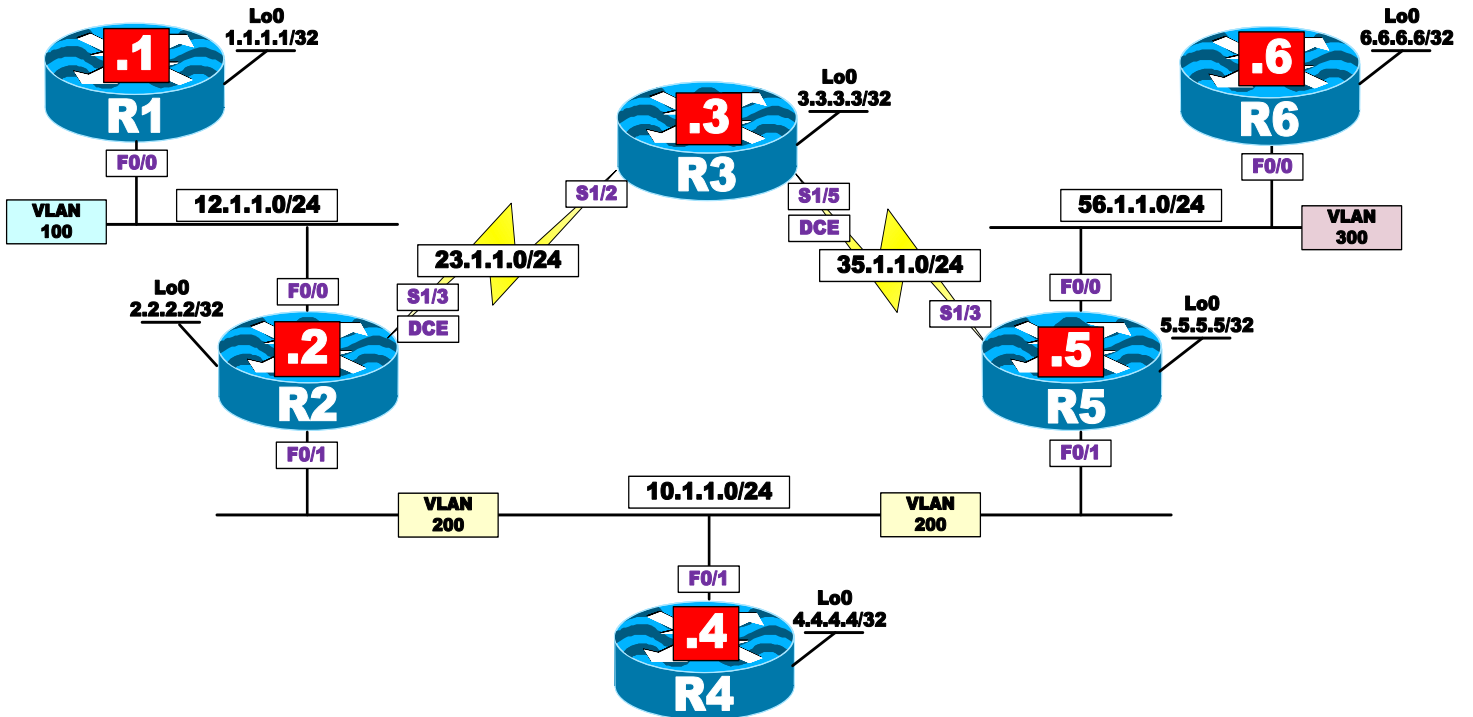
Lab 7 – Configuring MSDP



Lab 8 – Anycast IP



Lab 9 – Configuring SSM



Lab 10 – Helper-Map

