

Advanced CCIE Routing & Switching v5.0

www.MicronicsTraining.com

Narbik Kocharians
CCSI, CCIE #12410
R&S, Security, SP

VOL-IV

Table of content

Security	
Lab 1 DHCP Snooping	6
Lab 2 IP Source Guard	7
Lab 3 Dynamic ARP Inspection (DAI)	8
Lab 4 MAC Access-lists	9
Lab 5 VLAN Access-maps - I	10
Lab 6 VLAN Access-maps - II	11
Lab 7 Basic Router Security	12
Lab 8 Standard Named Access-lists	13
Lab 9 Controlling Telnet Access and SSH	
Lab 10 Extended Access-lists IP & ICMP	14
Lab 11 Using MQC as a filtering tool	15
Lab 12 Extended Access-list with Established	16
Lab 13 Dynamic Access-list	17
Lab 14 Reflexive Access-list	18
Lab 15 Access-list and Time range	19
Lab 16 Configuring PAM	20
Lab 17 Control Plane Policing	21
Lab 18 uRPF	22
Lab 19 Basic Site-2-Site IPsec VPN (Main Mode)	23
Lab 20 Basic Site-2-Site IPsec VPN (Aggressive Mode)	24
Lab 21 Basic Site-2-Site IPsec VPN and NAT	25
Lab 22 Basic Site-2-Site IPsec VPN With Dynamic IP	26
Lab 23 GRE/IPSEC Tunnel mode, Transport Mode & S-VTI	27
Lab 24 Protecting DMVPN Tunnels	28
IP Services & Advanced Features	
IP Prefix-lists	
Lab 1 Configuring IP Prefix-lists	31
NAT	
Lab 1 Static NAT Configuration	33
Lab 2 Static NAT Configuration & the "Alias" Keyword	34
Lab 3 NAT Reversible	35

Lab 4 Advanced Static NAT Configuration	36
Lab 5 Configuration of Dynamic NAT - I	37
Lab 6 Configuration of Dynamic NAT - II	38
Lab 7 Configuration of Dynamic NAT - III	39
Lab 8 NAT and TCP Load Balancing	40
Lab 9 Configuring PAT	41
Lab 10 Configuring PAR	42
Lab 11 Configuring Static NAT Redundancy With HSRP	43
Lab 12 Stateful Translation Failover With HSRP	44
Lab 13 Translation of the Outside Source - I	45
Lab 14 Translation of the Outside Source - II	46
Lab 15 NAT on a Stick	47
Lab 16 NAT Virtual Interface	48
FHRP	
Lab 1 HSRP Configuration	50
Lab 2 VRRP Configuration	51
Lab 3 GLBP Configuration	52
EEM	
Lab 1 Configuring EEM	54
Syslog	
Lab 1 Configuring Syslog	
IP Accounting	
Lab 1 Configuring IP Accounting	56
HTTP, TFTP and Core Dump Using FTP	
Lab 1 Configuring HTTP	59
Lab 2 Configuring TFTP	60
Lab 3 Configuring Core Dump Using FTP	
NetFlow	
Lab 1 Configuring NetFlow	62
SNMP & RMON	
Lab 1 Configuring SNMP & RMON	
DHCP	
Lab 1 Configuring DHCP	64

NTP & More IP Stuff	
Lab 31 Configuring NTP	66
Lab 32 More IP Stuff	

Advanced CCIE Routing & Switching 5.0

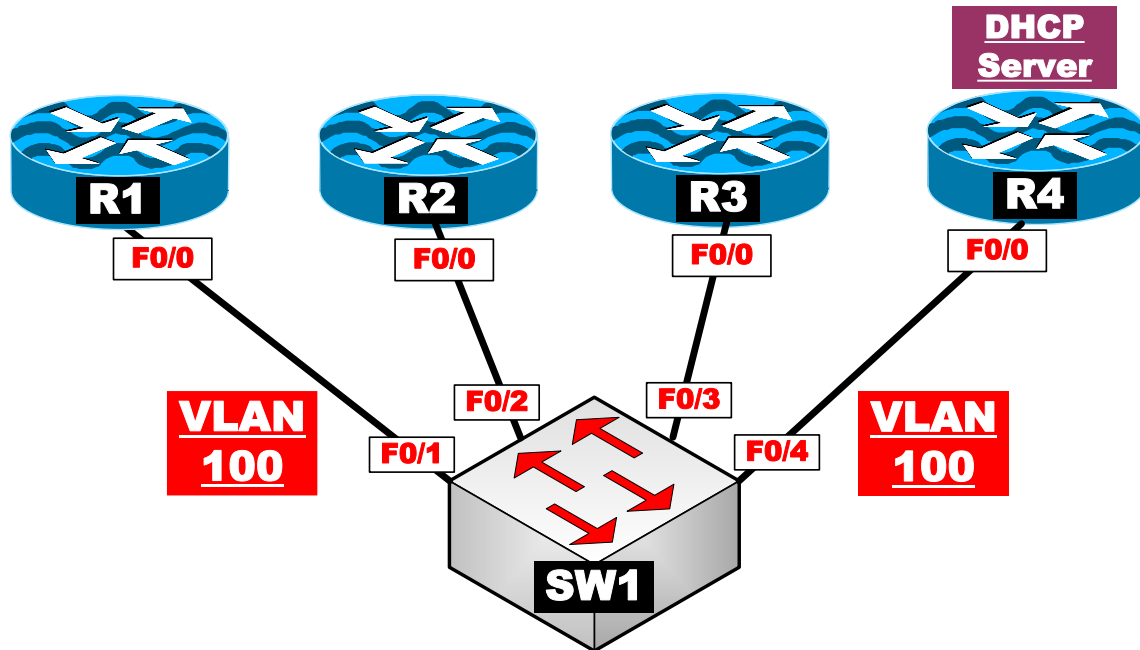
www.MicronicsTraining.com

Narbik Kocharians
CCSI, CCIE #12410
R&S, Security, SP

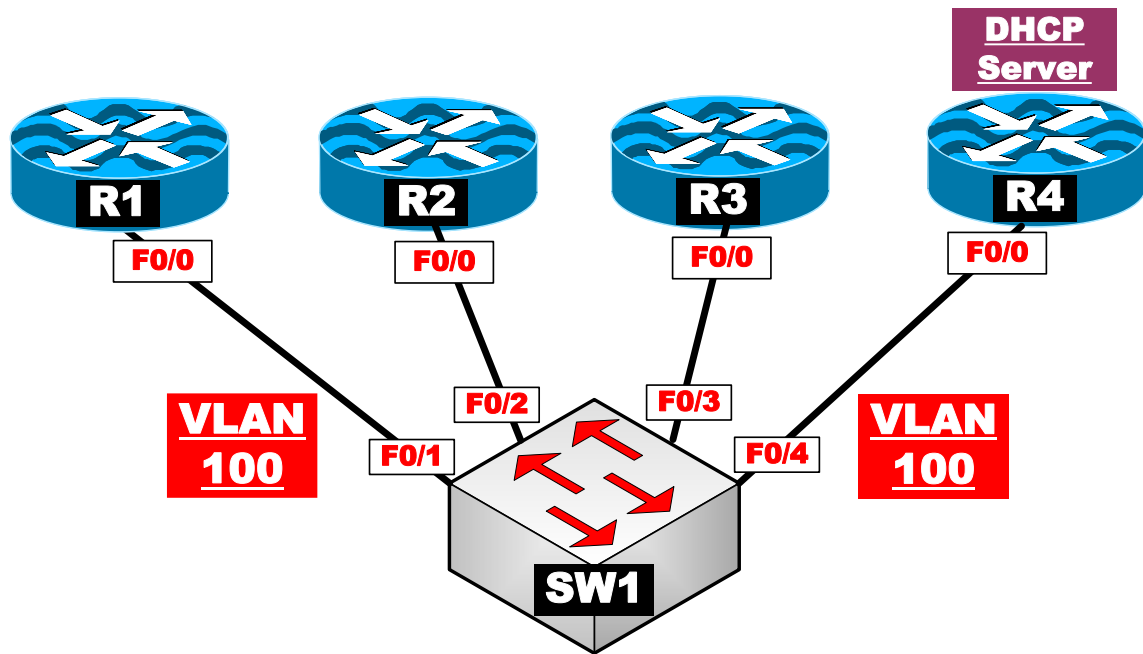
Security

Lab 1

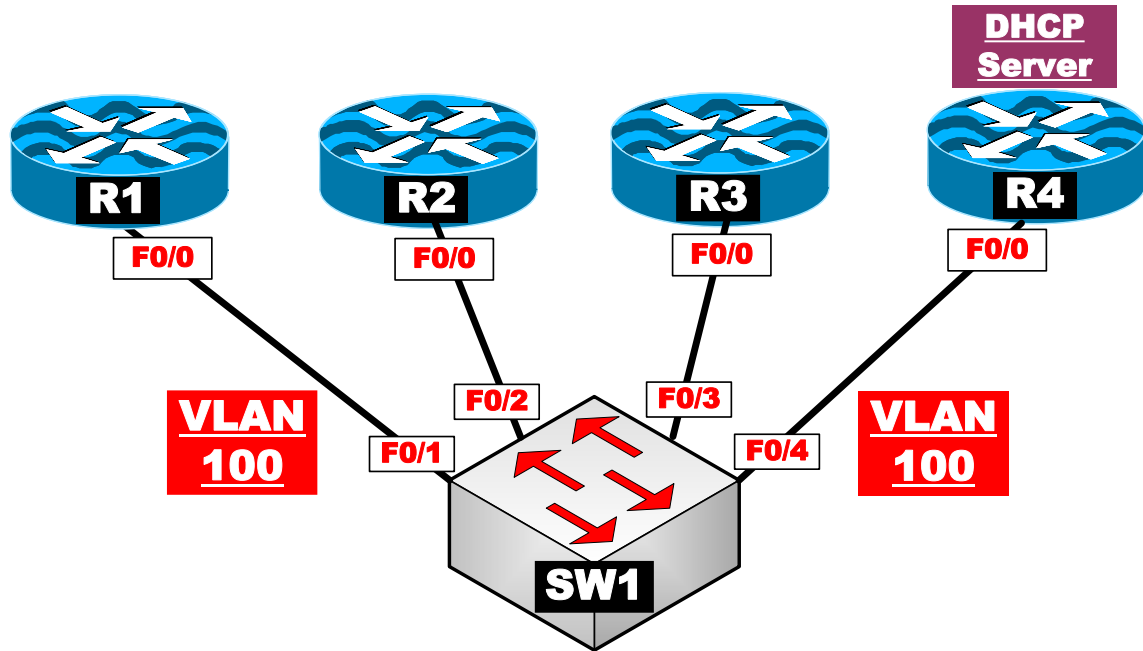
DHCP Snooping



Lab 2 IP Source Guard

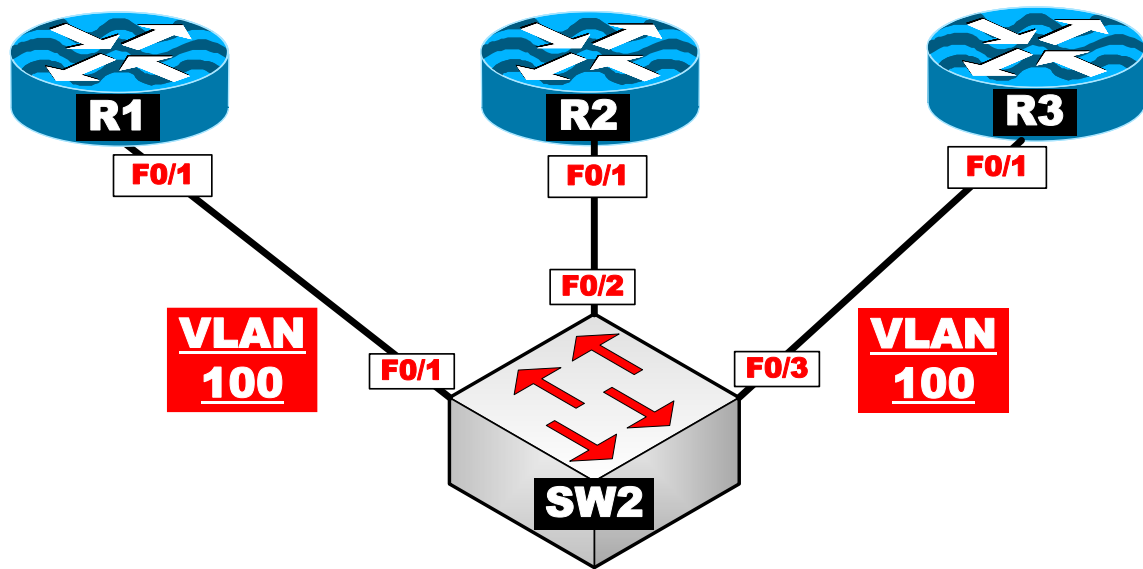


Lab 3 Dynamic ARP Inspection



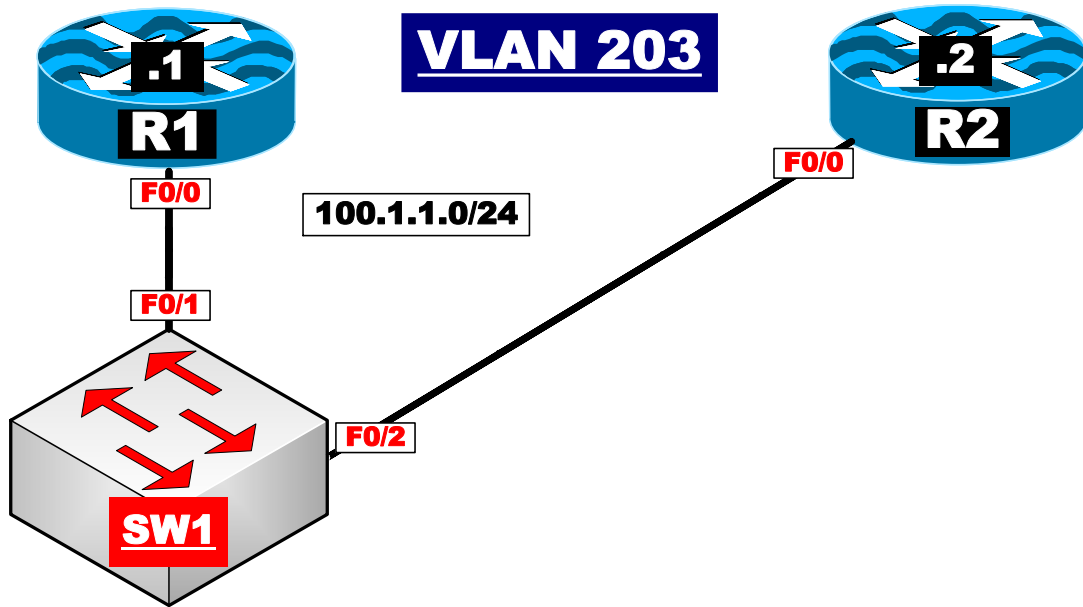
Lab 4

MAC Access-list

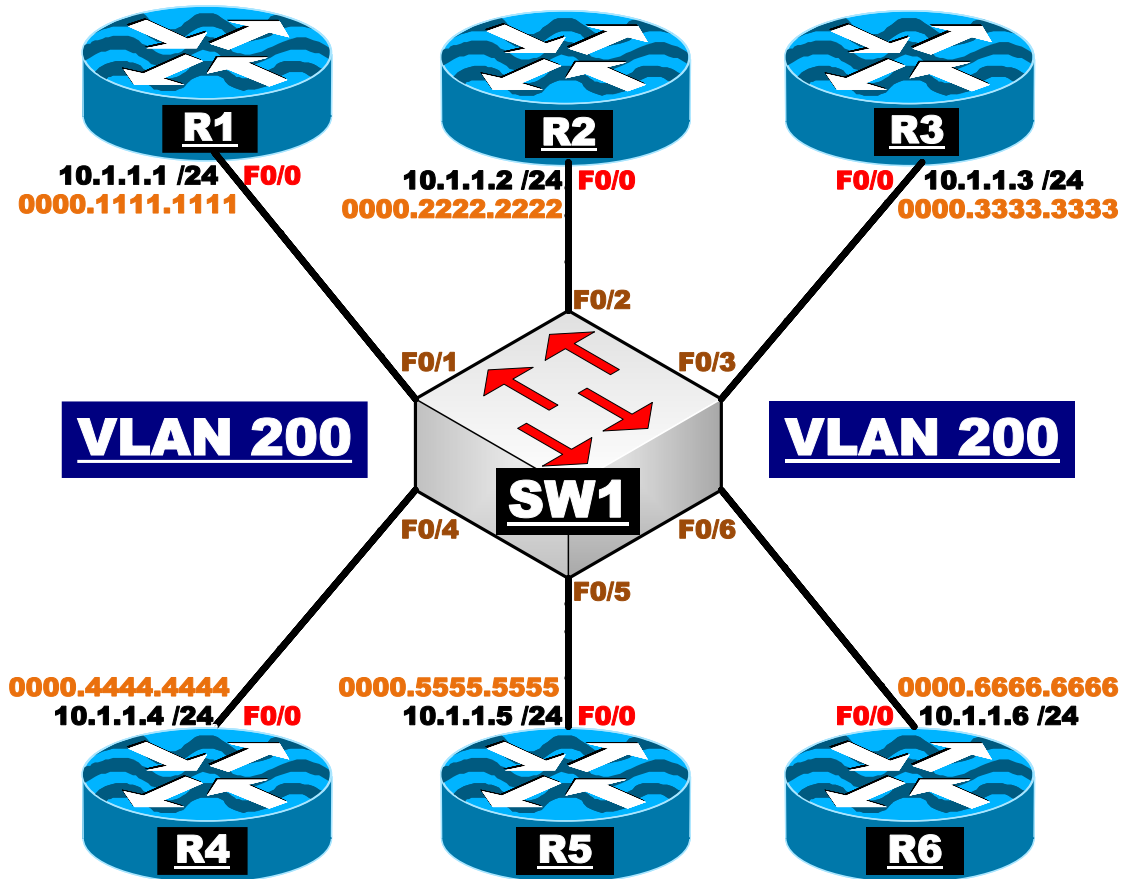


Lab 5

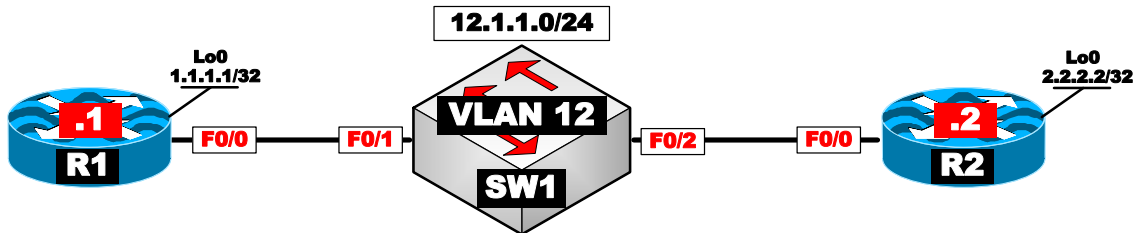
VLAN Access maps -I



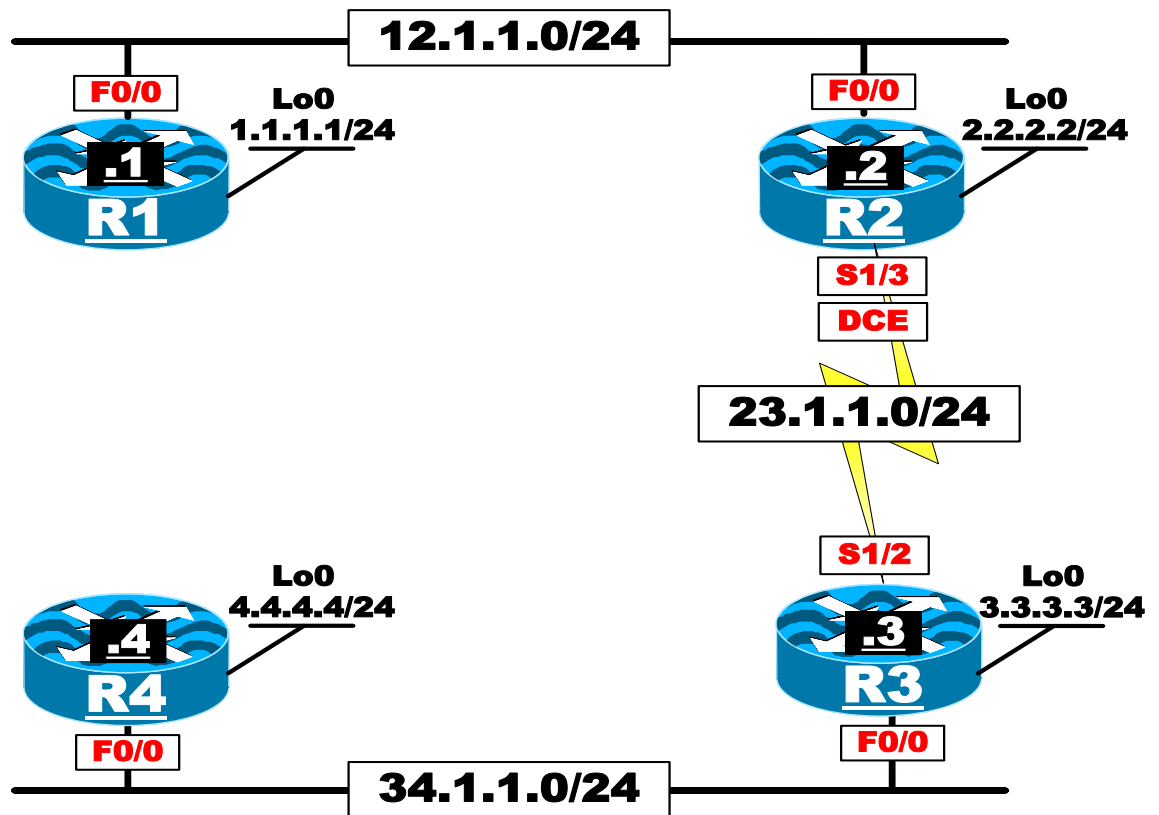
Lab 6 VLAN Access maps -II



Lab 7 – Basic Router Security

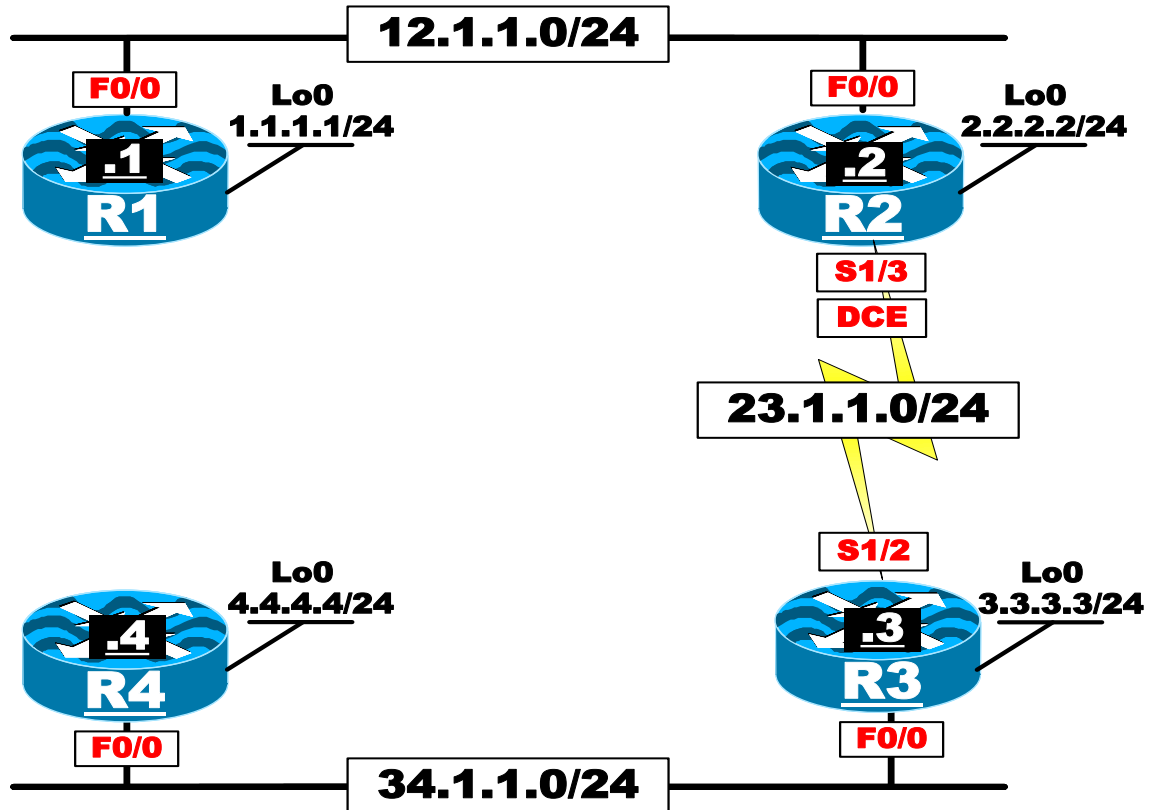


Lab 8 – Standard Named Access List

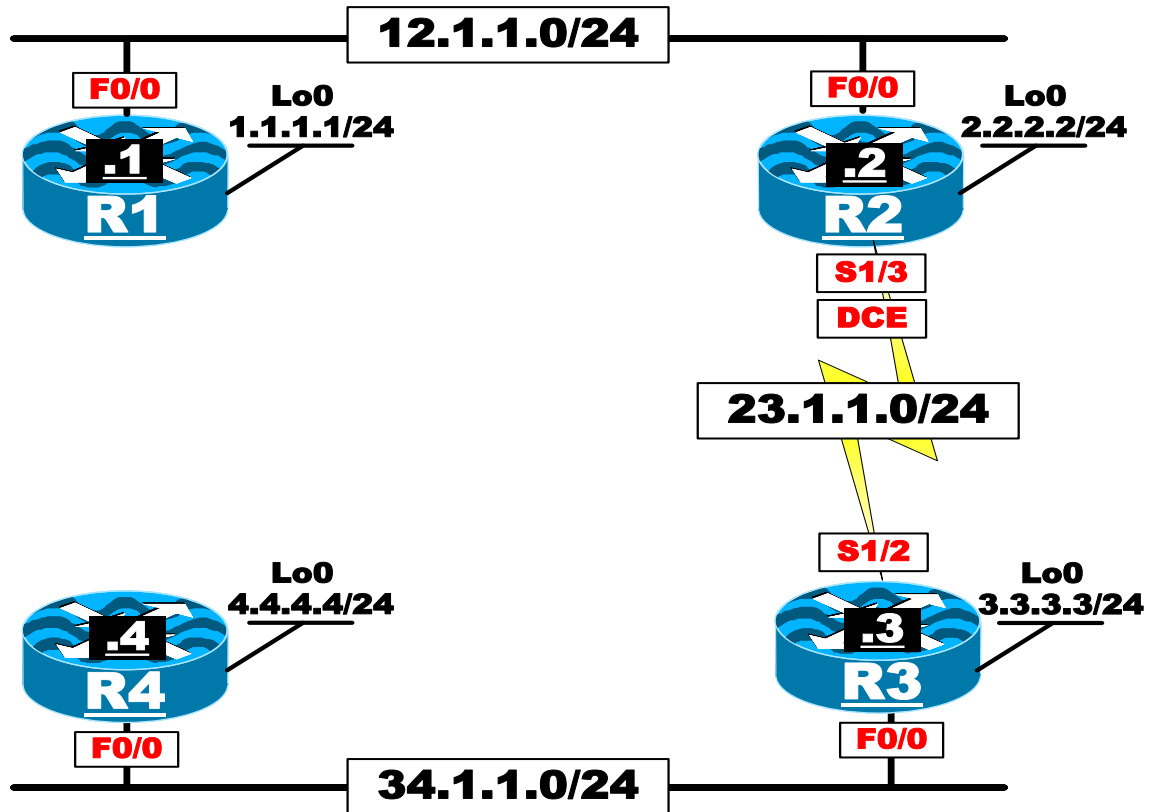


Lab 10 – Extended Access List

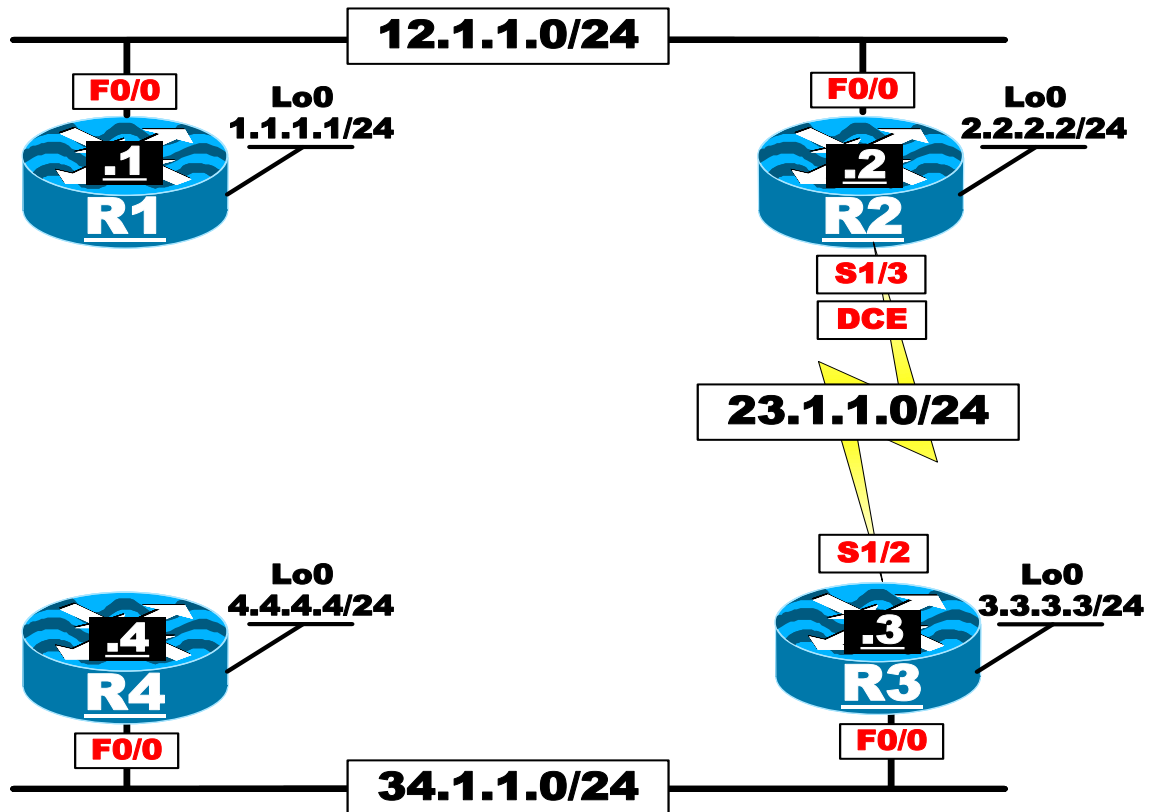
IP and ICMP



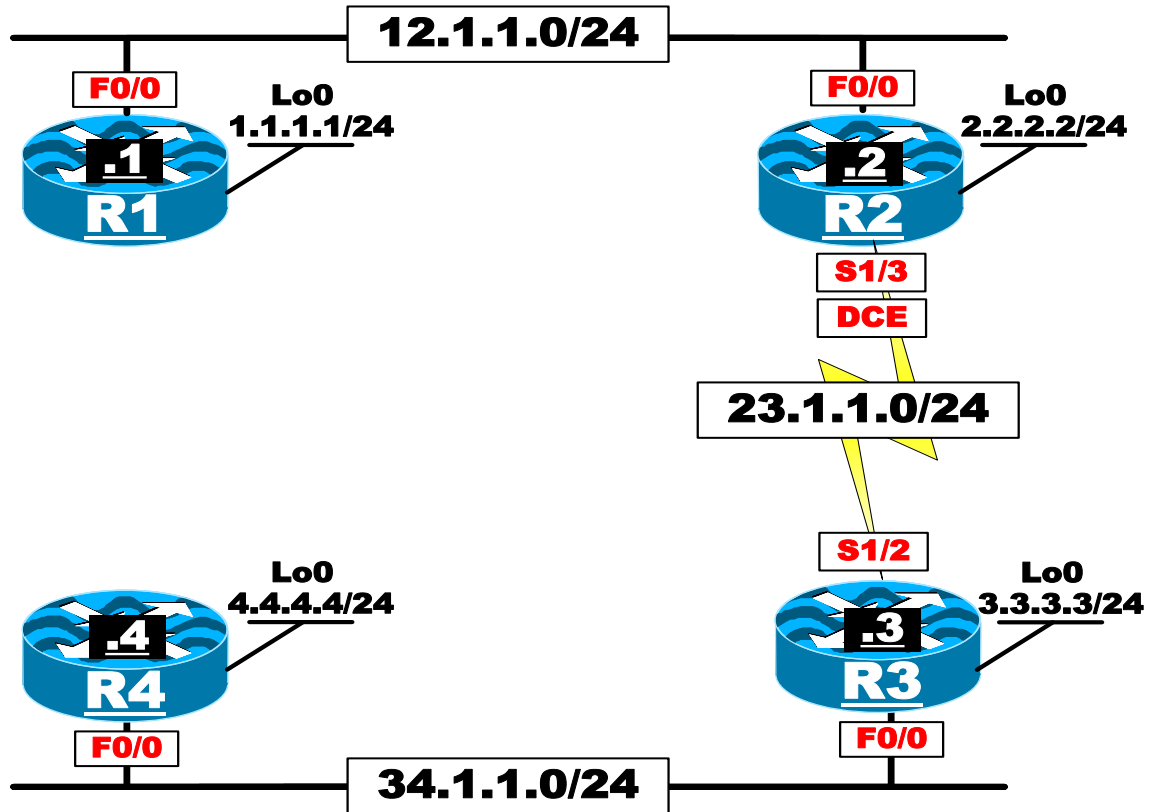
Lab 11 – Using MQC as a Filtering Tool



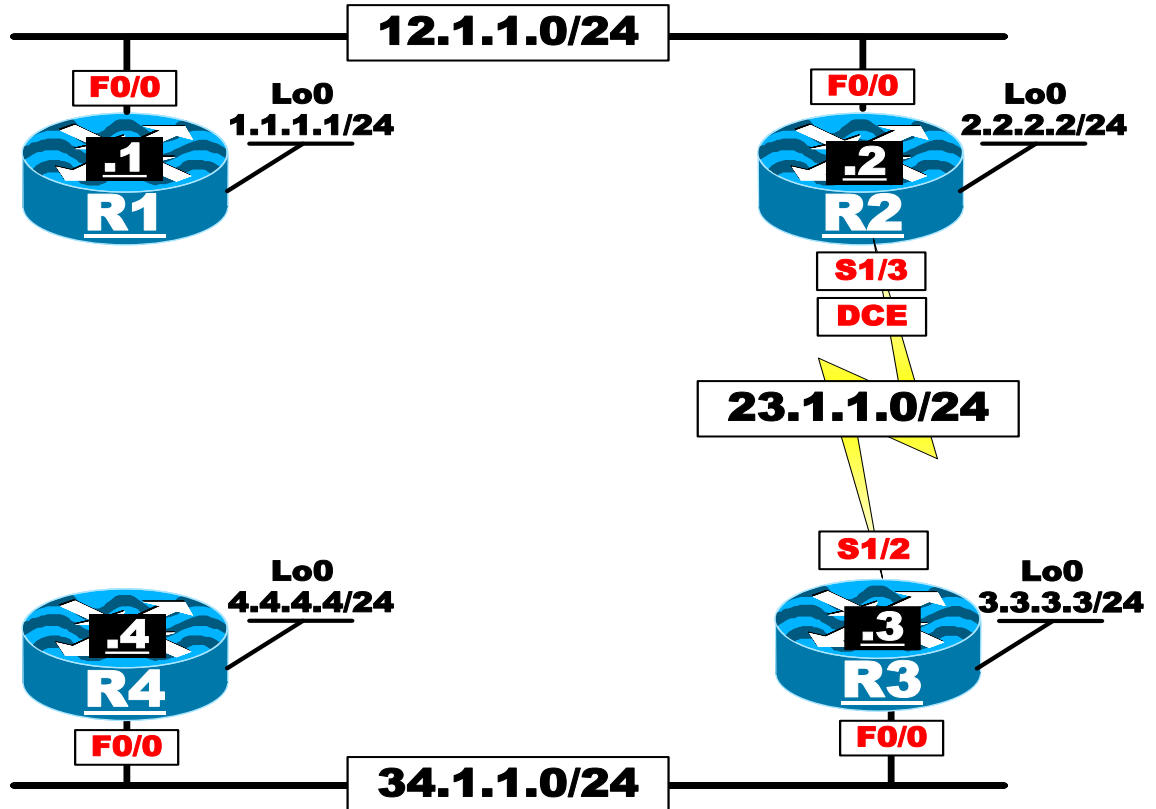
Lab 12 – Extended Access List With Established



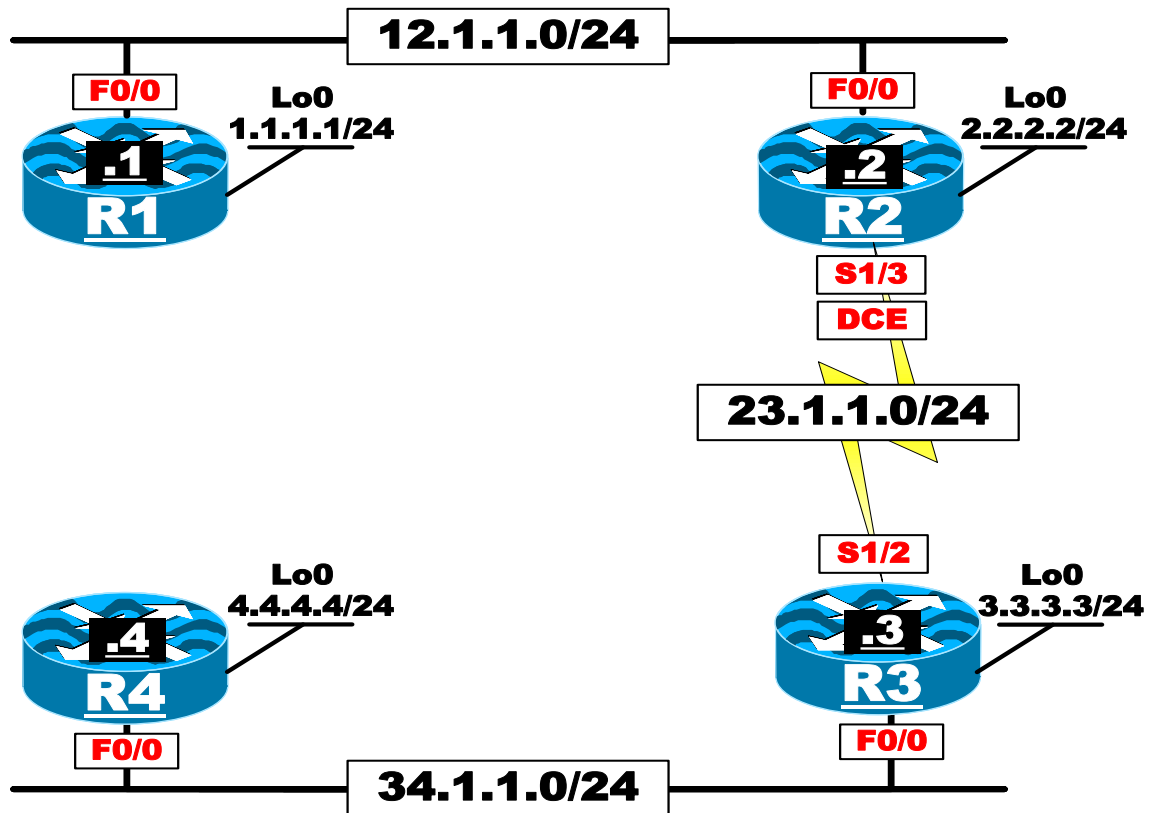
Lab 13 – Dynamic Access List



Lab 14 – Reflexive Access-Lists

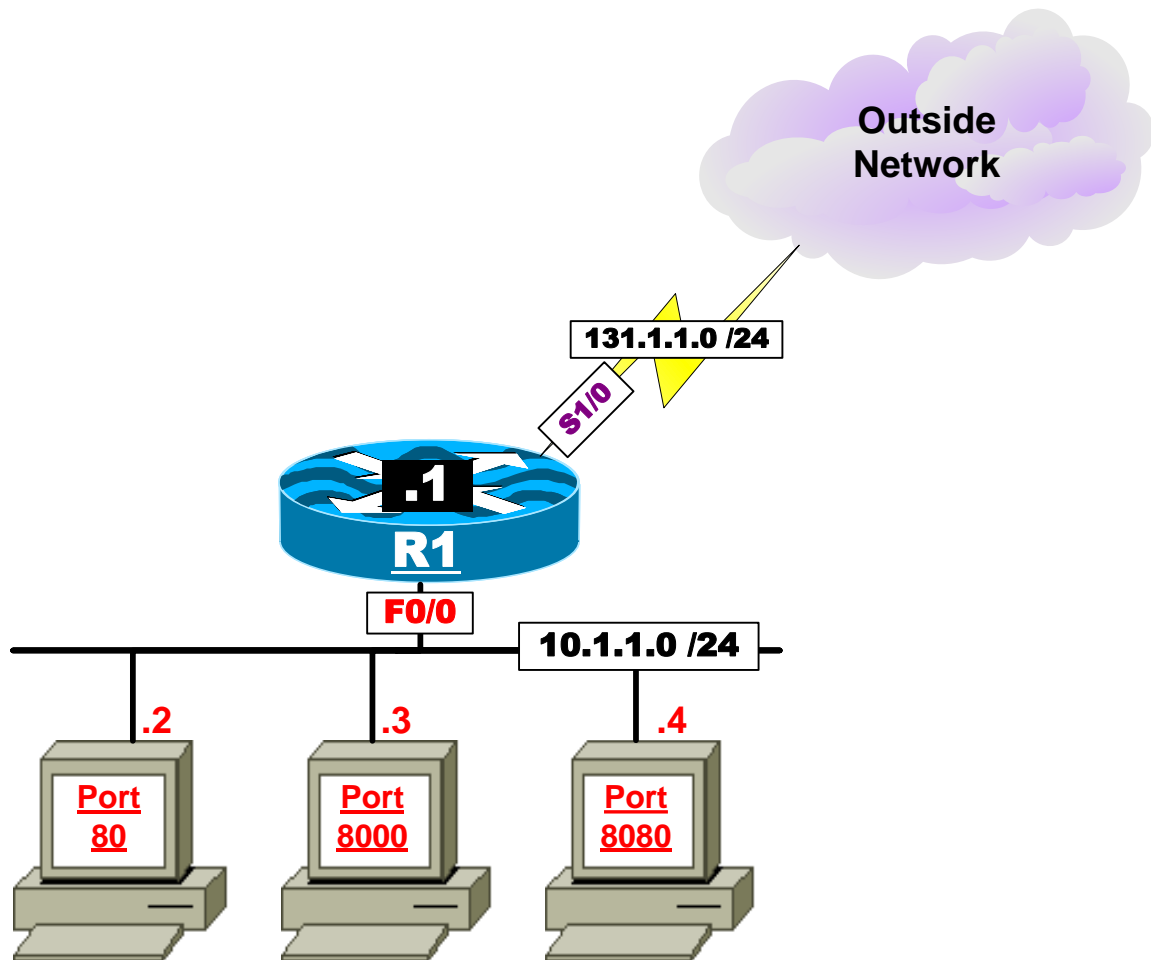


Lab 15 – Access-List and Time-Range

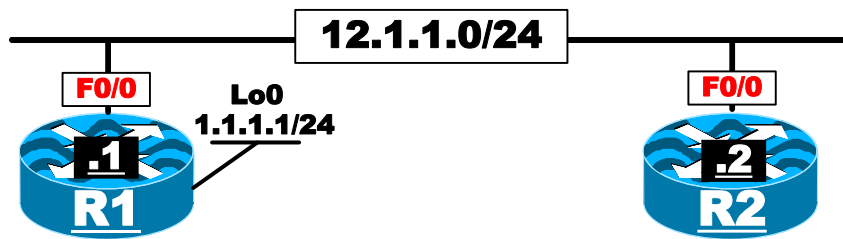


Lab 16

Configuring PAM

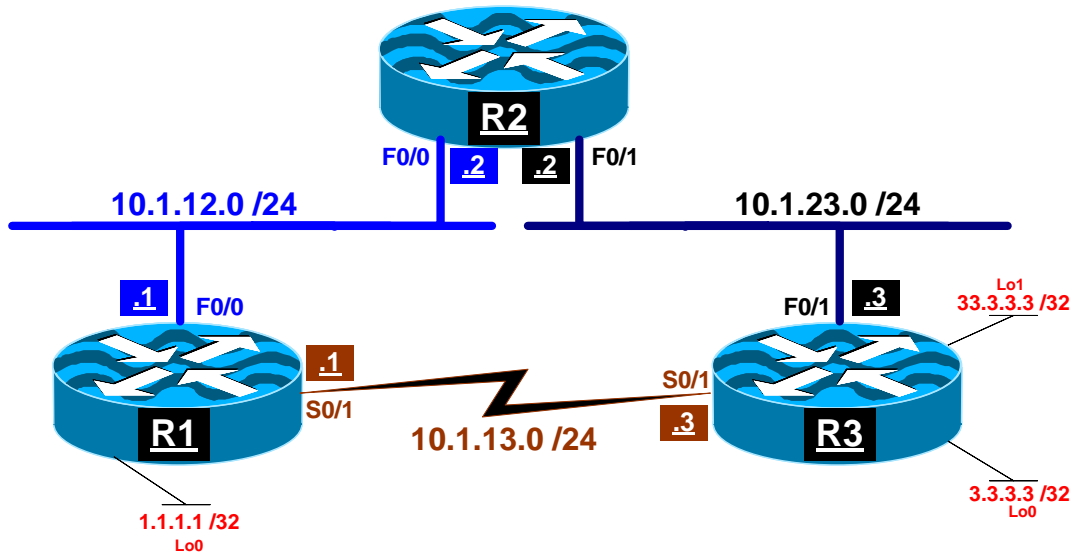


Lab 17 – Control Plane Policy



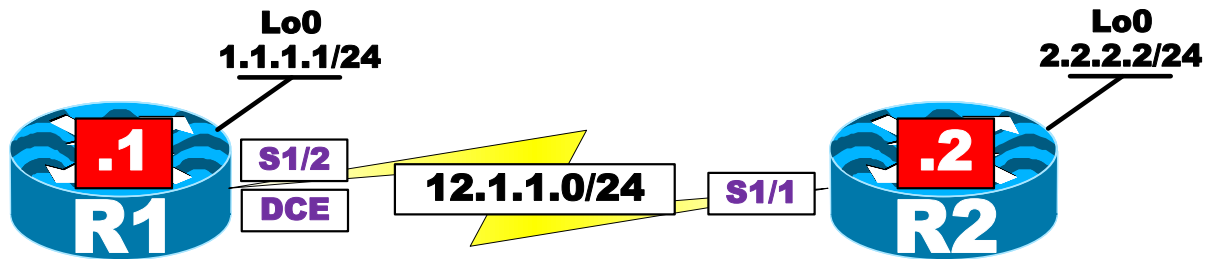
Lab 18

Configuring uRPF

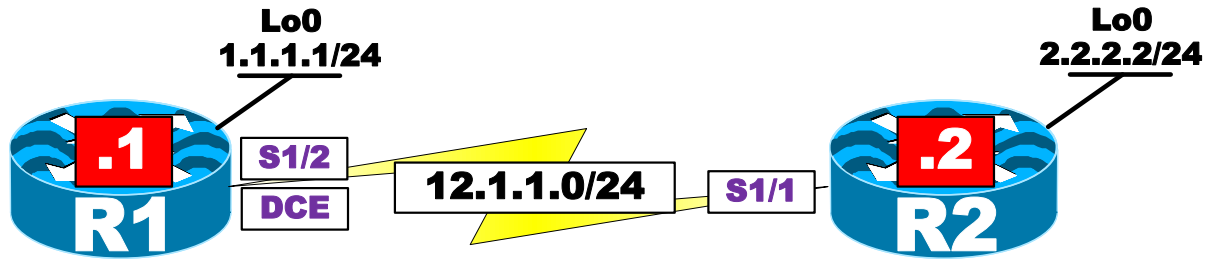


Lab 19

Basic Site-to-Site IPsec VPN (Main Mode)

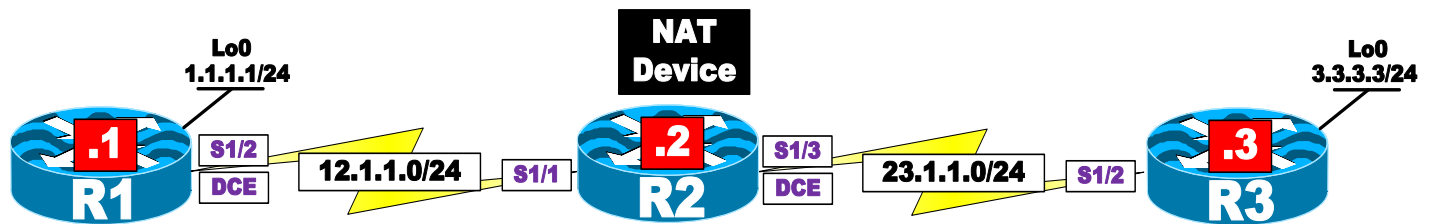


Lab 20 Basic Site-to-Site IPSec VPN (Aggressive Mode)



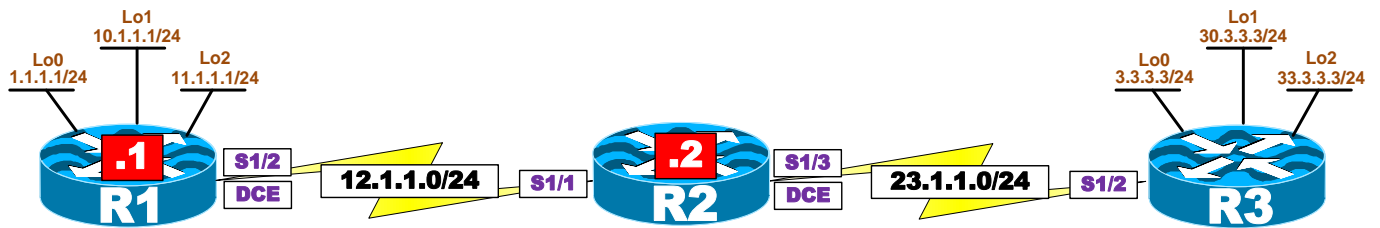
Lab 21

Basic Site-to-Site IPsec VPN and NAT



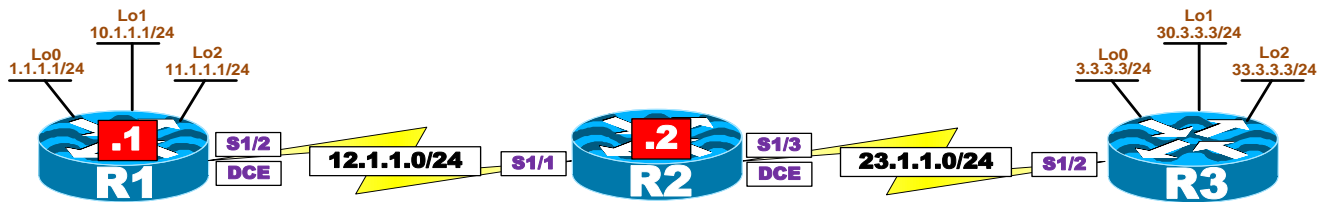
Lab 22

Basic Site-to-Site IPSec VPN With Dynamic IP

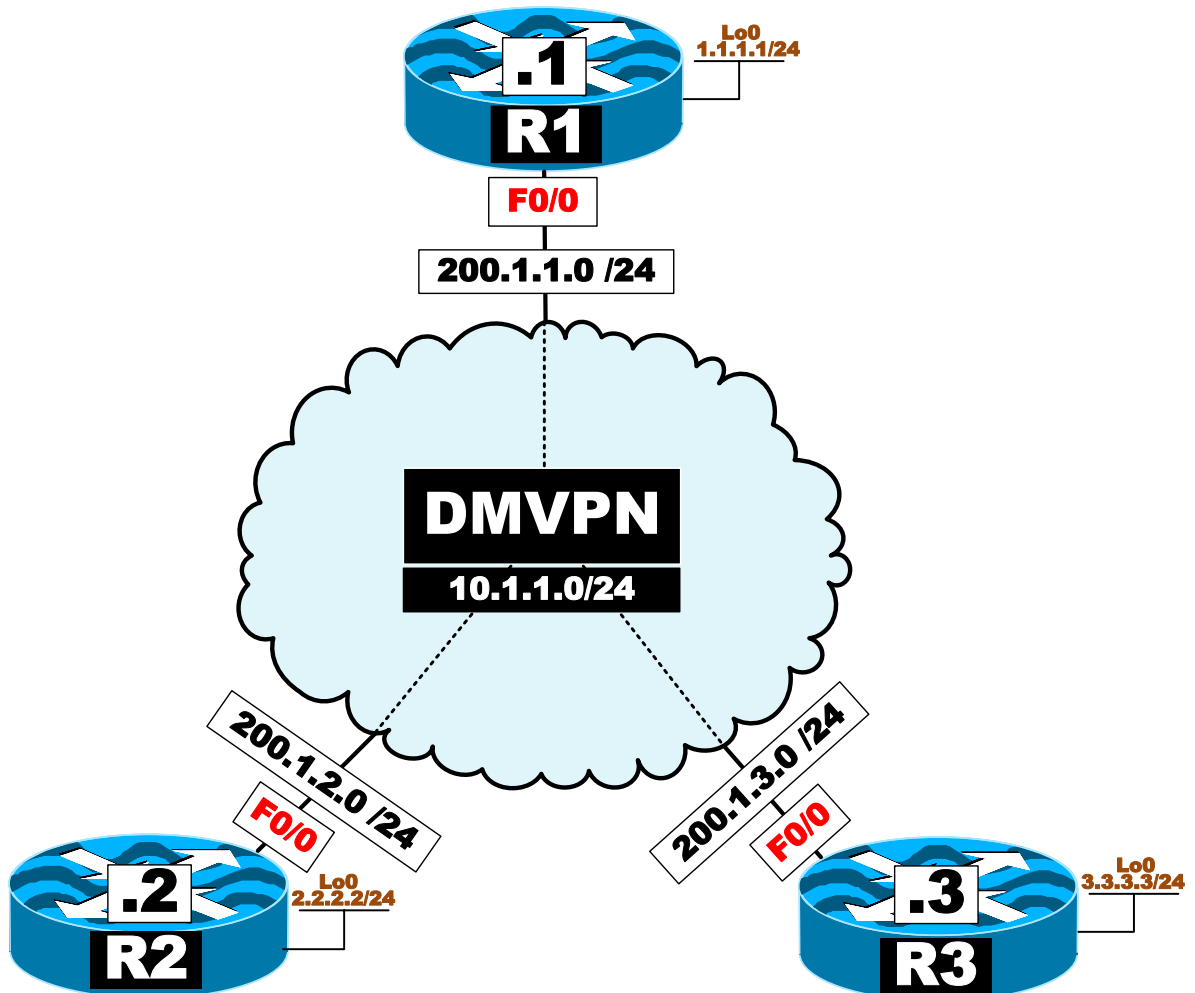


Lab 23

GRE/IPSec Tunnel Mode, Transport Mode & S-VTI



Lab 24 – Protecting DMVPN Tunnels



Advanced CCIE Routing & Switching 5.0

www.MicronicsTraining.com

Narbik Kocharians
CCSI, CCIE #12410
R&S, Security, SP

IP Services & Advanced Features

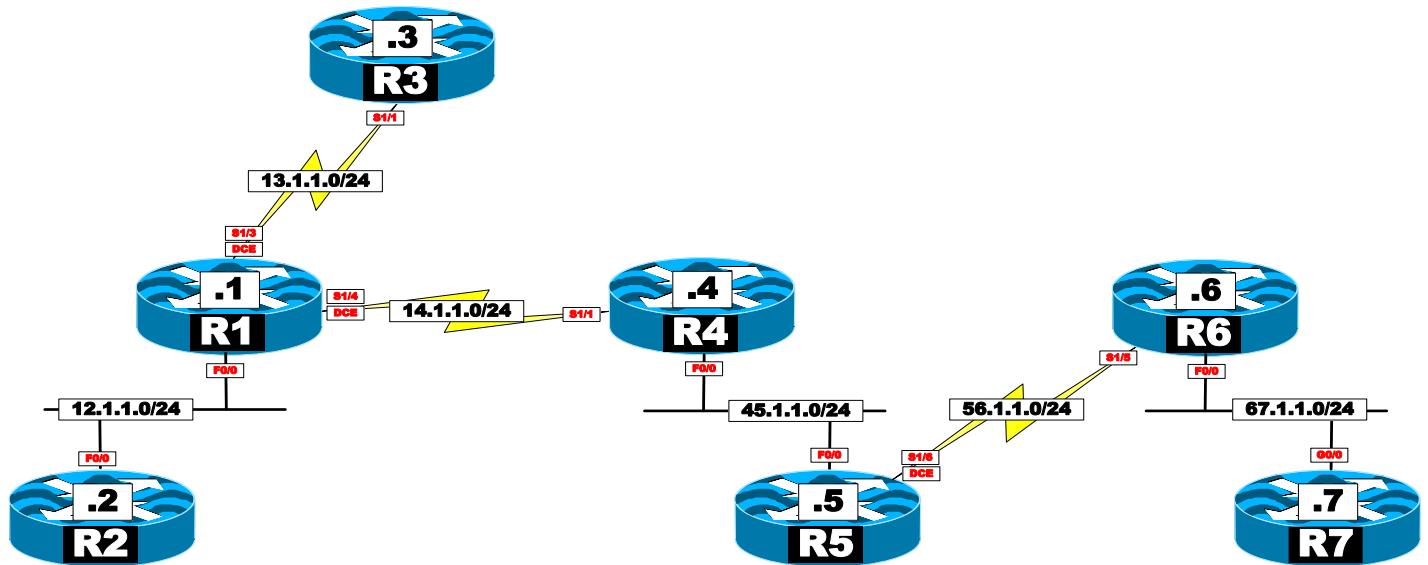
Advanced CCIE Routing & Switching v5.0

www.MicronicsTraining.com

Narbik Kocharians
CCSI, CCIE #12410
R&S, Security, SP

IP Prefix-lists

Lab 1 – Prefix-Lists



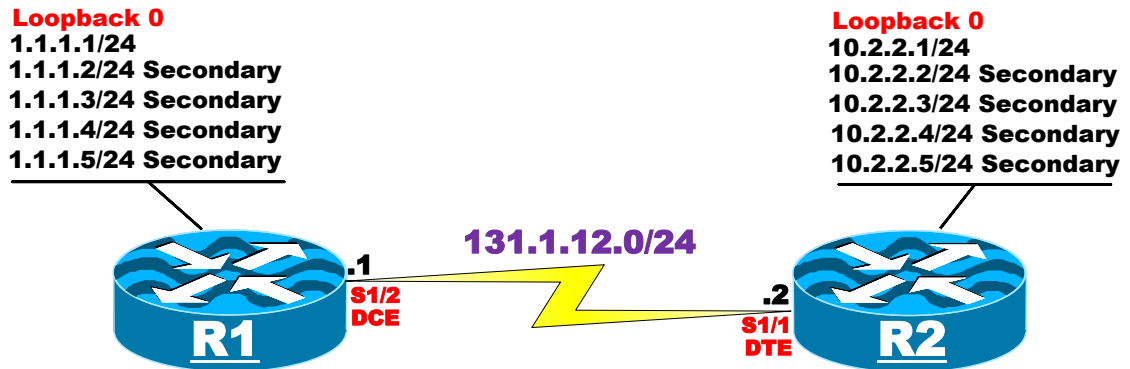
Advanced CCIE Routing & Switching v5.0

www.MicronicsTraining.com

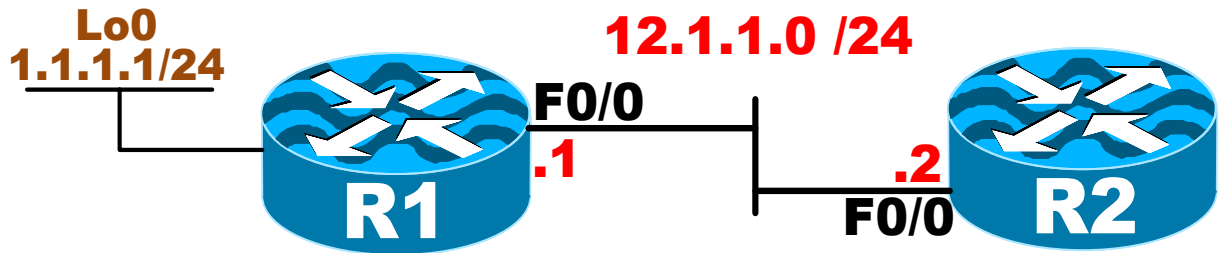
Narbik Kocharians
CCSI, CCIE #12410
R&S, Security, SP

NAT

Lab 1 – Static NAT Configuration



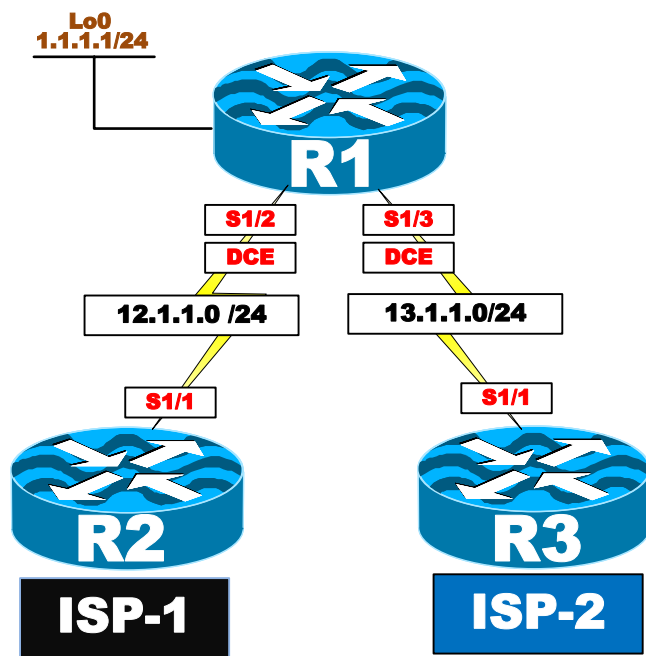
Lab 2 –Static NAT Configuration & the “Alias” Keyword



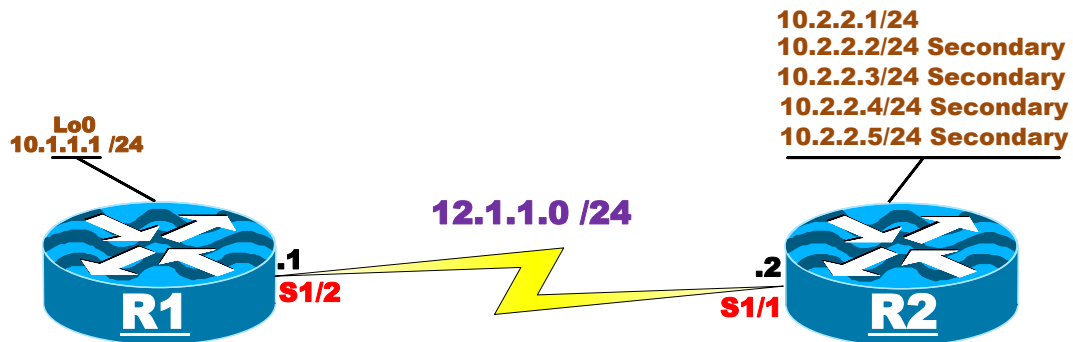
Lab 3 – NAT Reversible



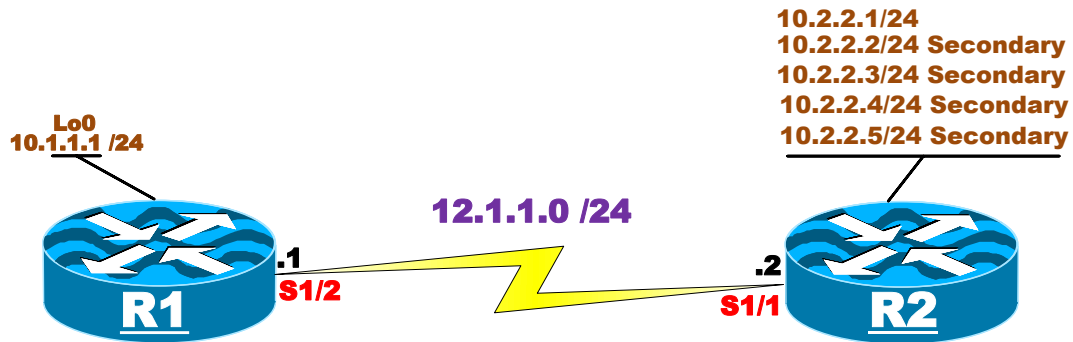
Lab 4 – Advanced Static NAT Configuration



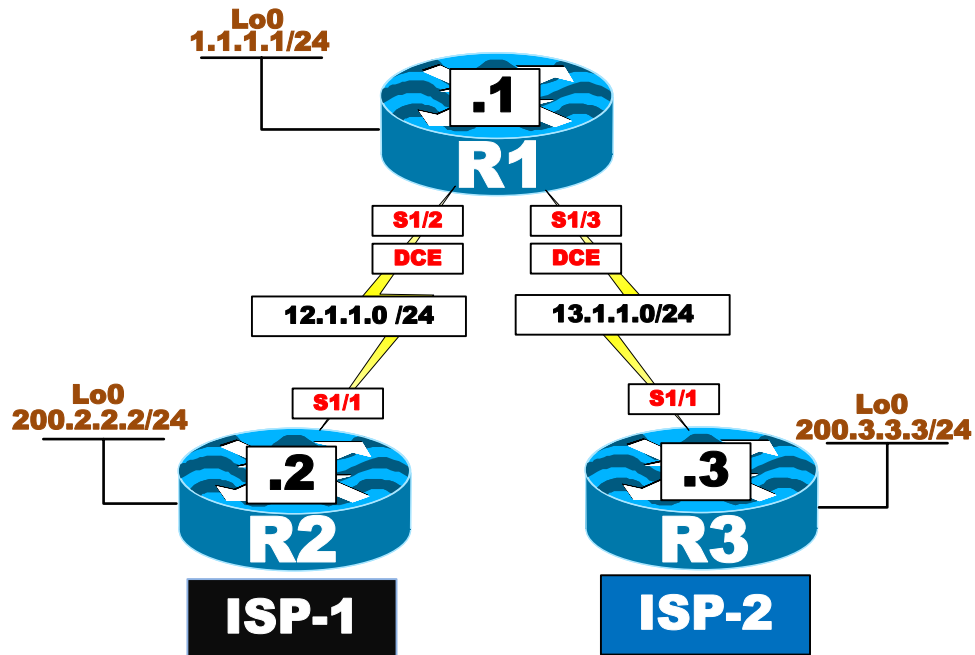
Lab 5 – Configuration of Dynamic NAT-I



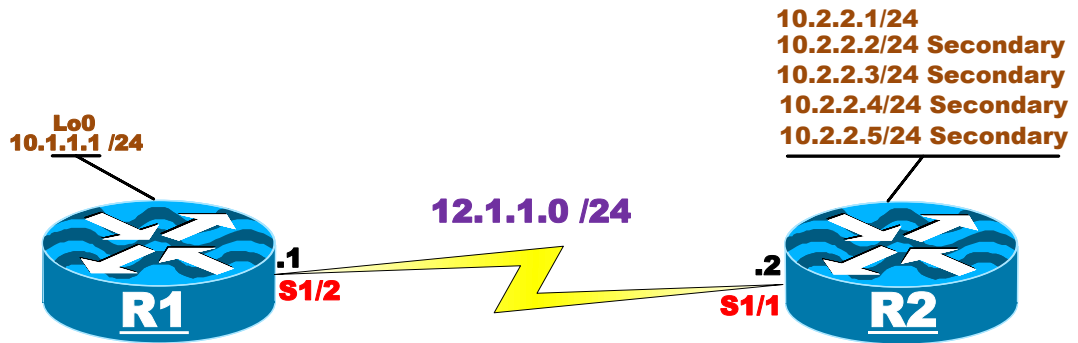
Lab 6 – Configuration of Dynamic NAT-II



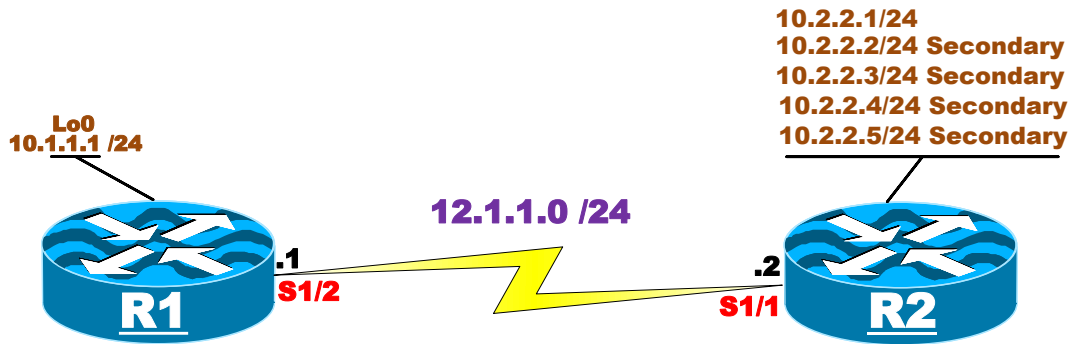
Lab 7 – Configuration of Dynamic NAT-III



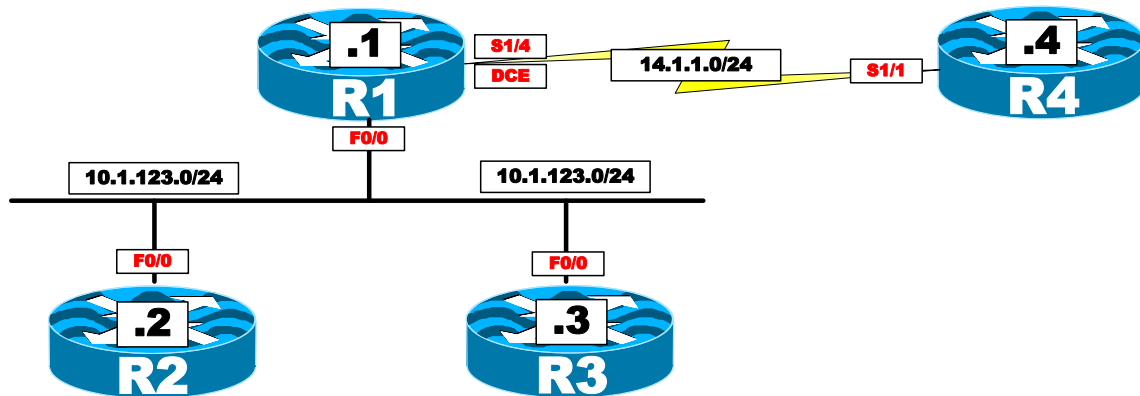
Lab 8 – NAT and TCP Load Balancing



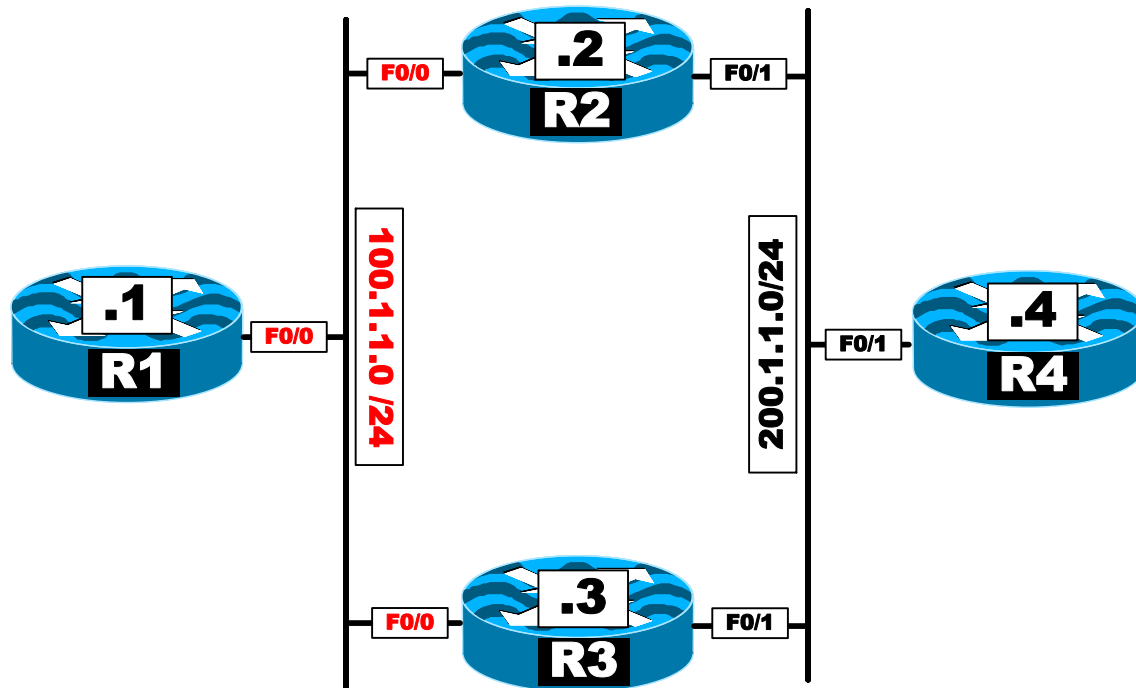
Lab 9 – Configuring PAT



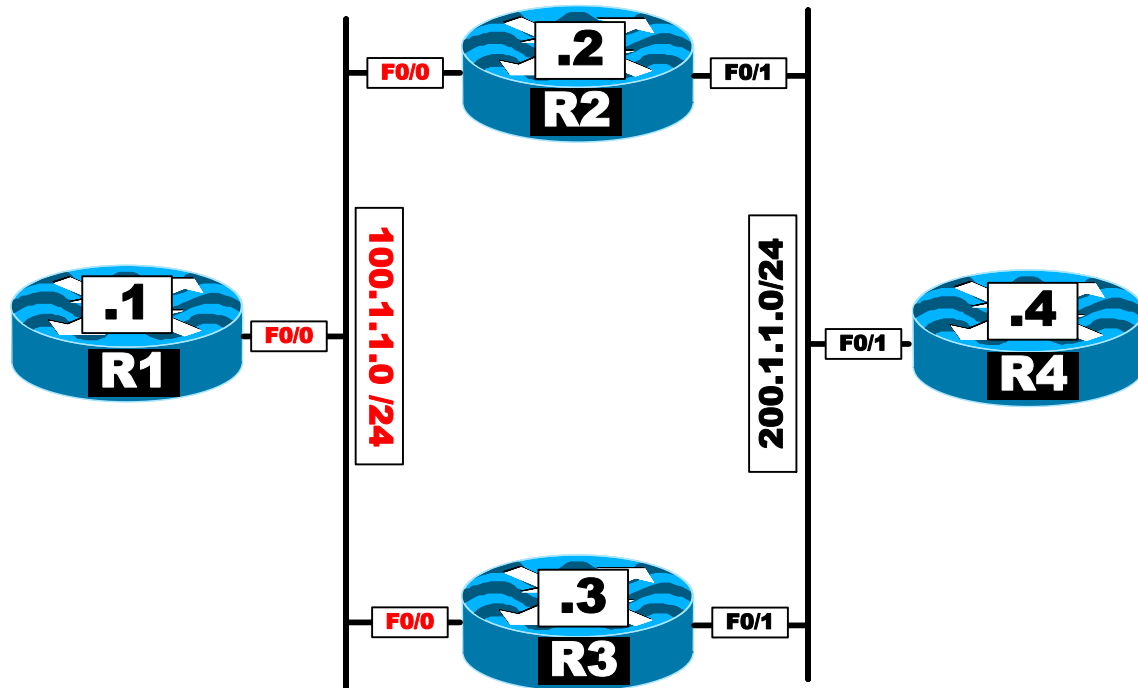
Lab 10 – Configuring PAR



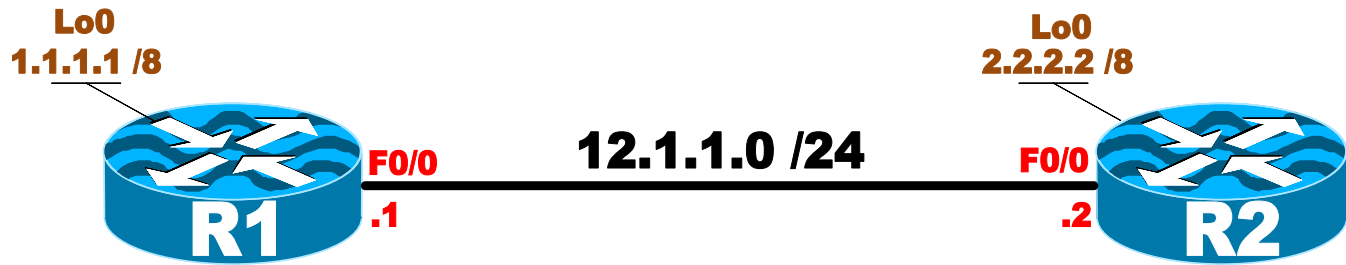
Lab 11 – Configuring Static NAT Redundancy With HSRP



Lab 12 – Stateful Translation Failover With HSRP



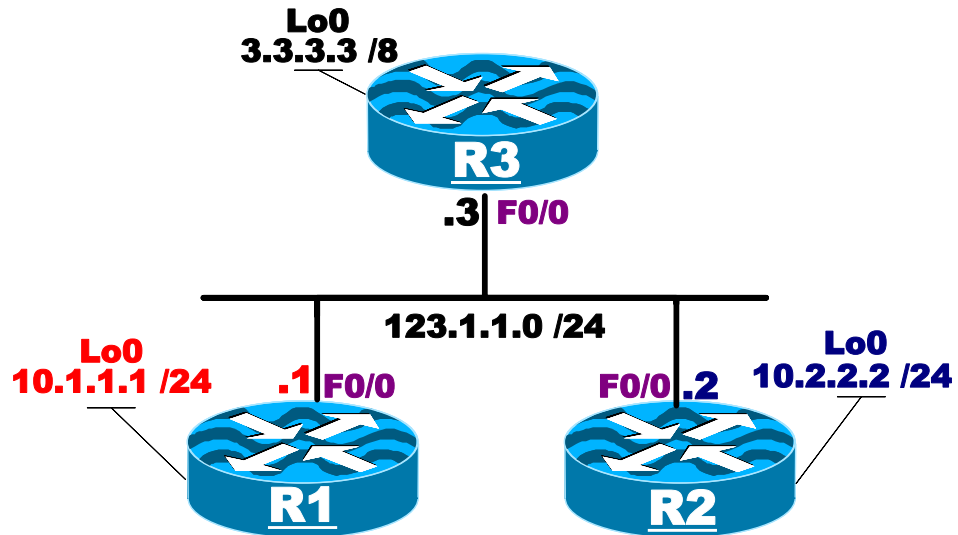
Lab 13 – Translation of the Outside Source - I



Lab 14 – Translation of the Outside Source - II



Lab 15 – NAT on a Stick



Lab 16 – NAT Virtual Interface



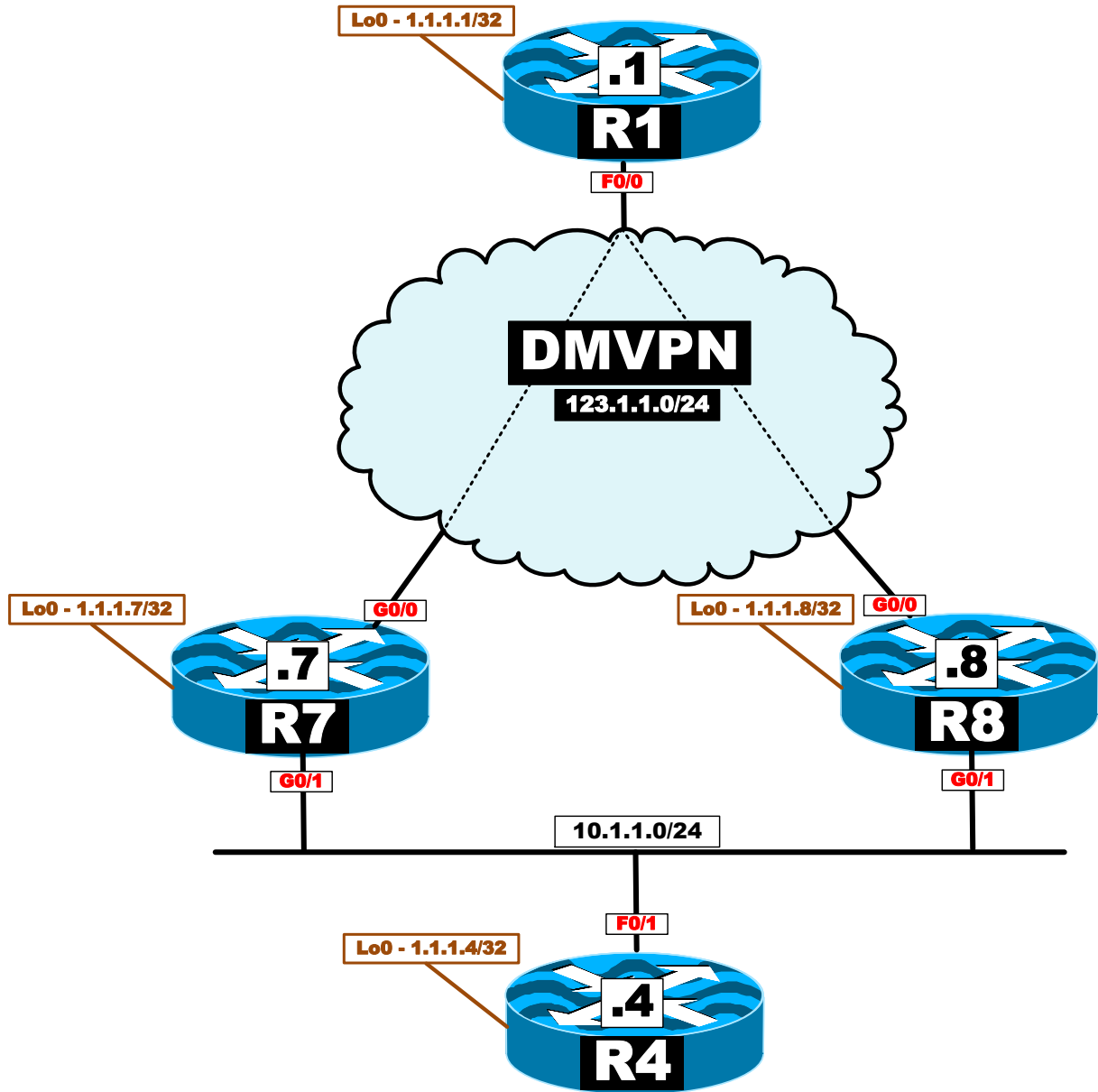
Advanced CCIE Routing & Switching v5.0

www.MicronicsTraining.com

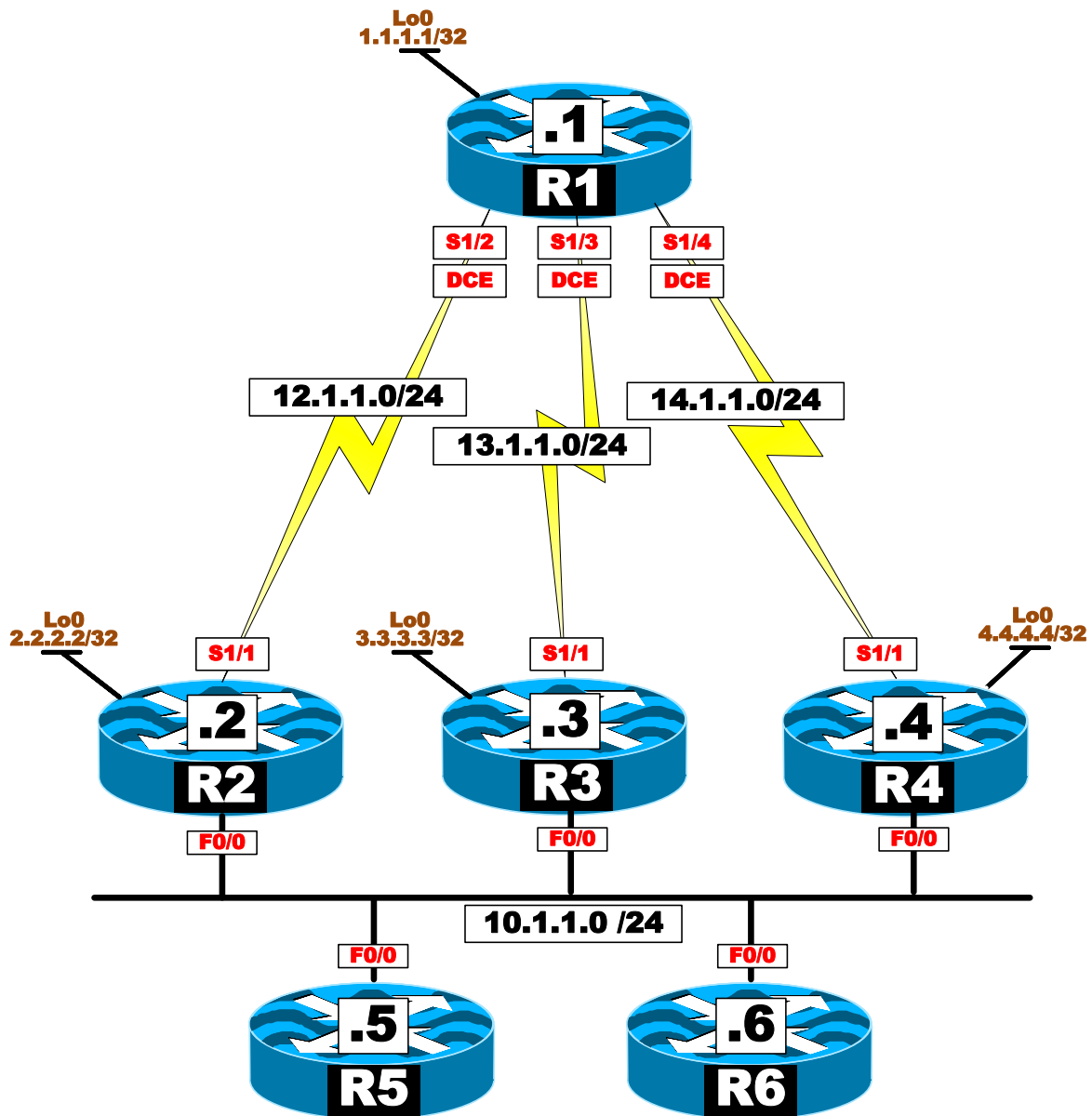
Narbik Kocharians
CCSI, CCIE #12410
R&S, Security, SP

FHRP

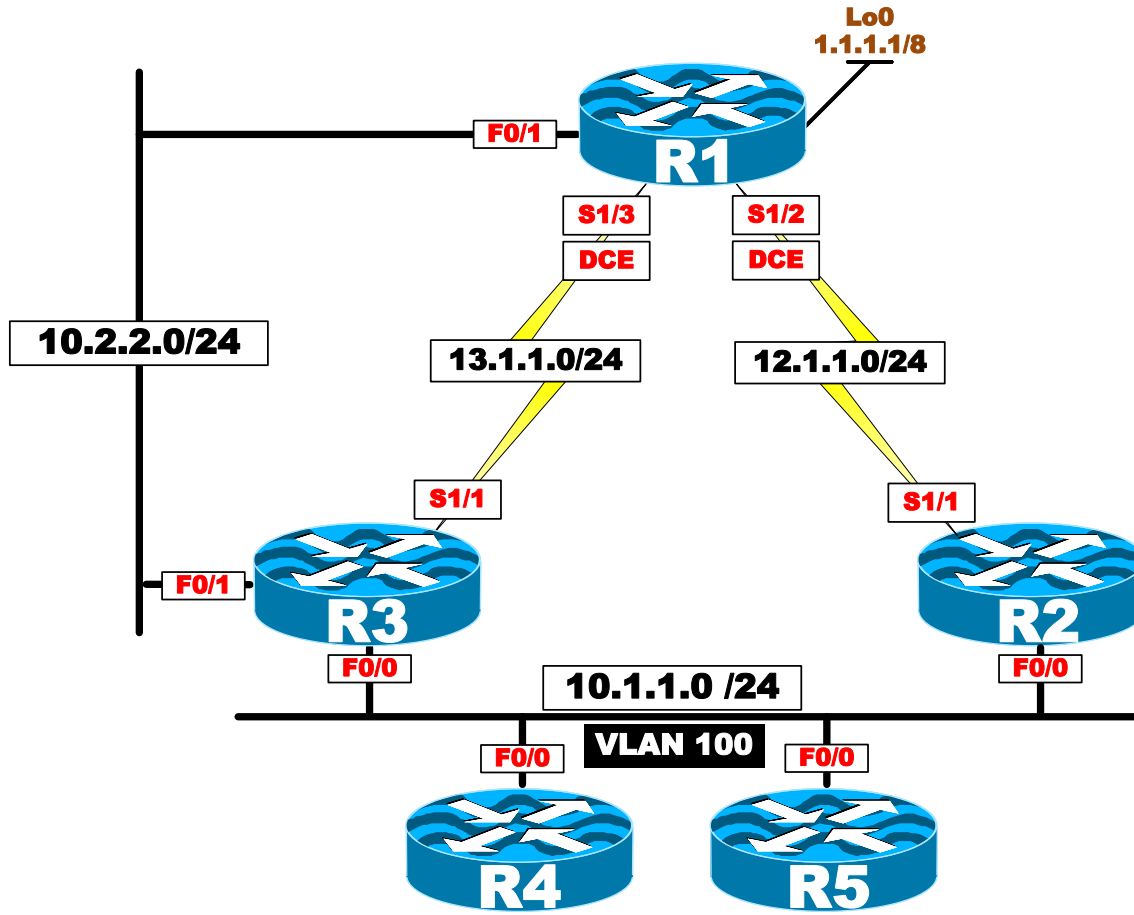
Lab 1 – HSRP Configuration



Lab 2 – VRRP Configuration



Lab 3 – GLBP Configuration



Advanced CCIE Routing & Switching 5.0

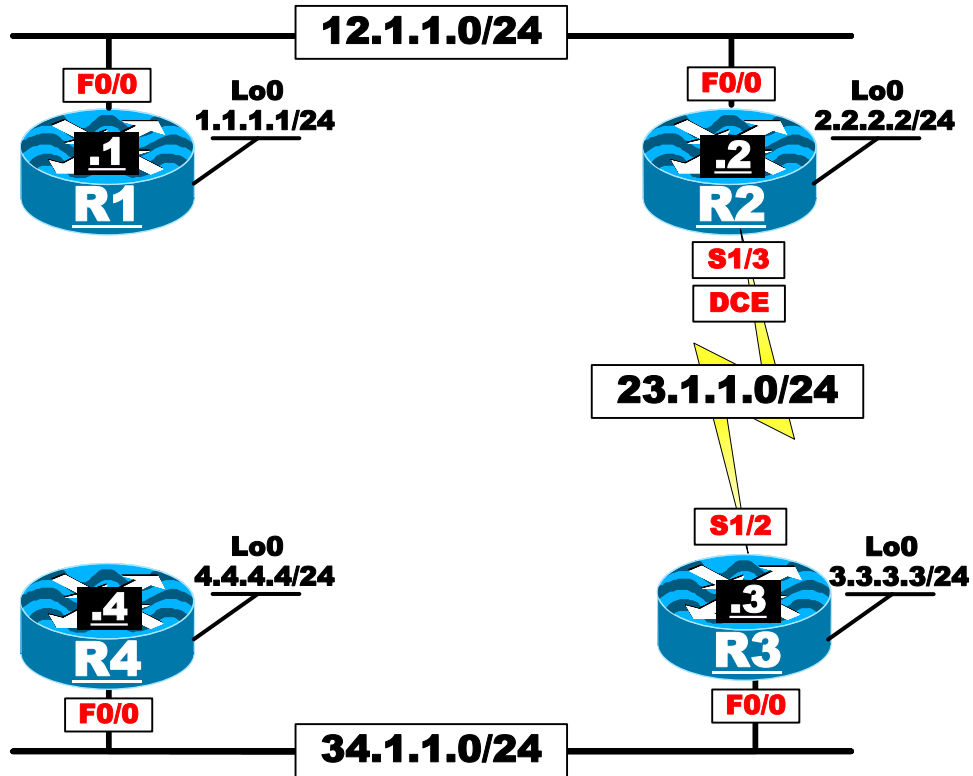
www.MicronicsTraining.com

Narbik Kocharians
CCSI, CCIE #12410
R&S, Security, SP

EEM

Lab 1 - EEM

Task 10



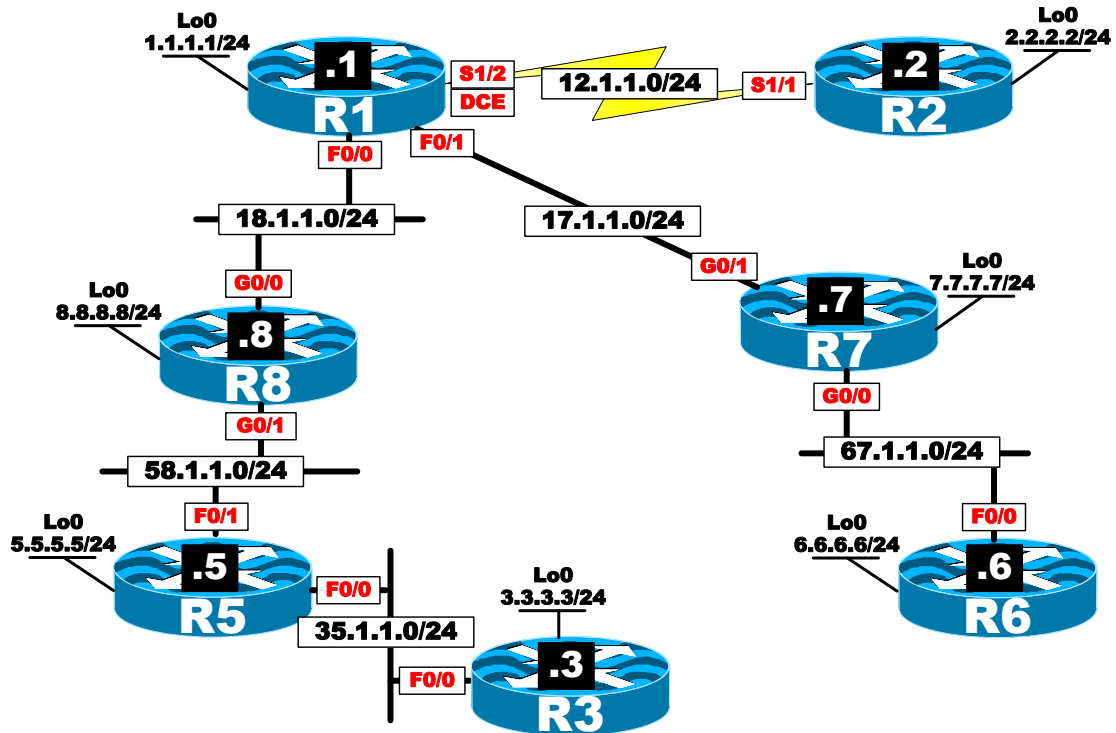
Advanced CCIE Routing & Switching 5.0

www.MicronicsTraining.com

Narbik Kocharians
CCSI, CCIE #12410
R&S, Security, SP

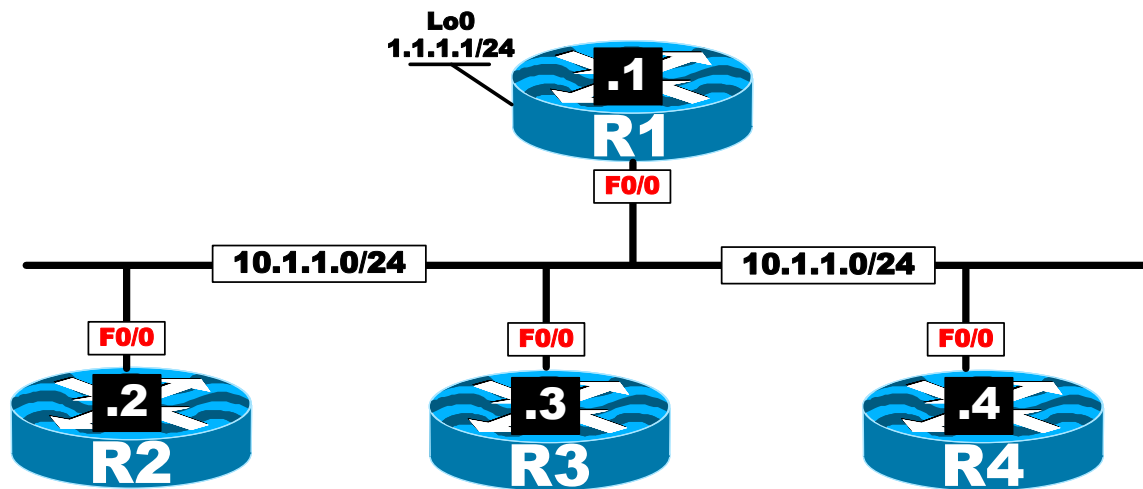
IP Accounting

Lab 1 – IP Accounting



Task 9

Reconfigure the routers based on the following topology:



Advanced CCIE Routing & Switching 5.0

www.MicronicsTraining.com

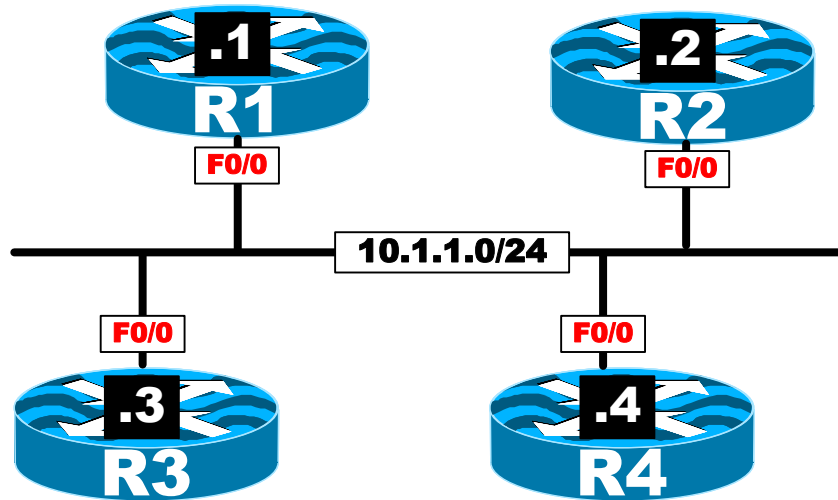
Narbik Kocharians
CCSI, CCIE #12410
R&S, Security, SP

HTTP, TFTP, and Core Dump Using FTP

Lab 1 – HTTP Connection Management



Lab 2 – TFTP



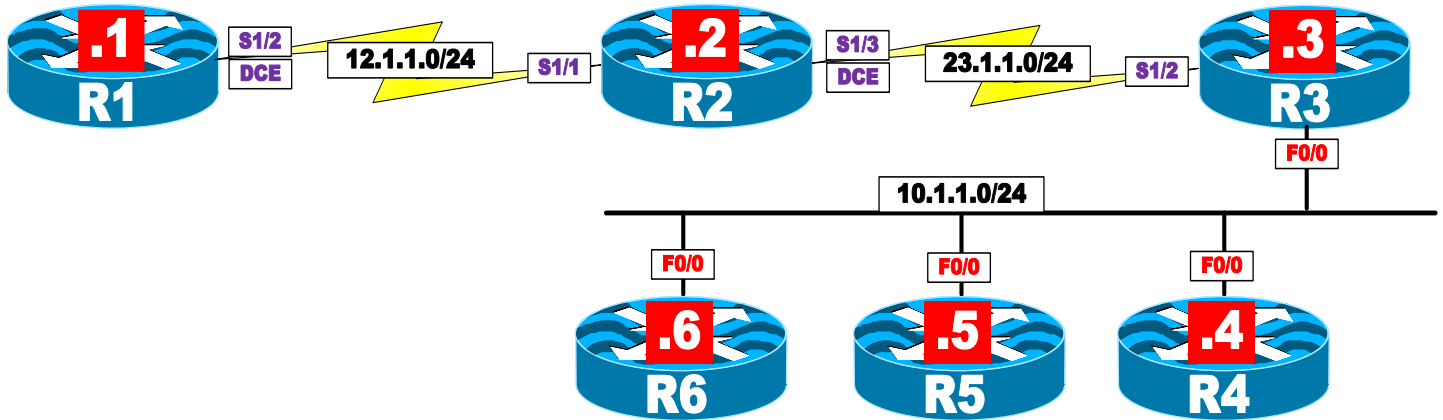
Advanced CCIE Routing & Switching 5.0

www.MicronicsTraining.com

Narbik Kocharians
CCSI, CCIE #12410
R&S, Security, SP

NetFlow

Lab 1 – NetFlow



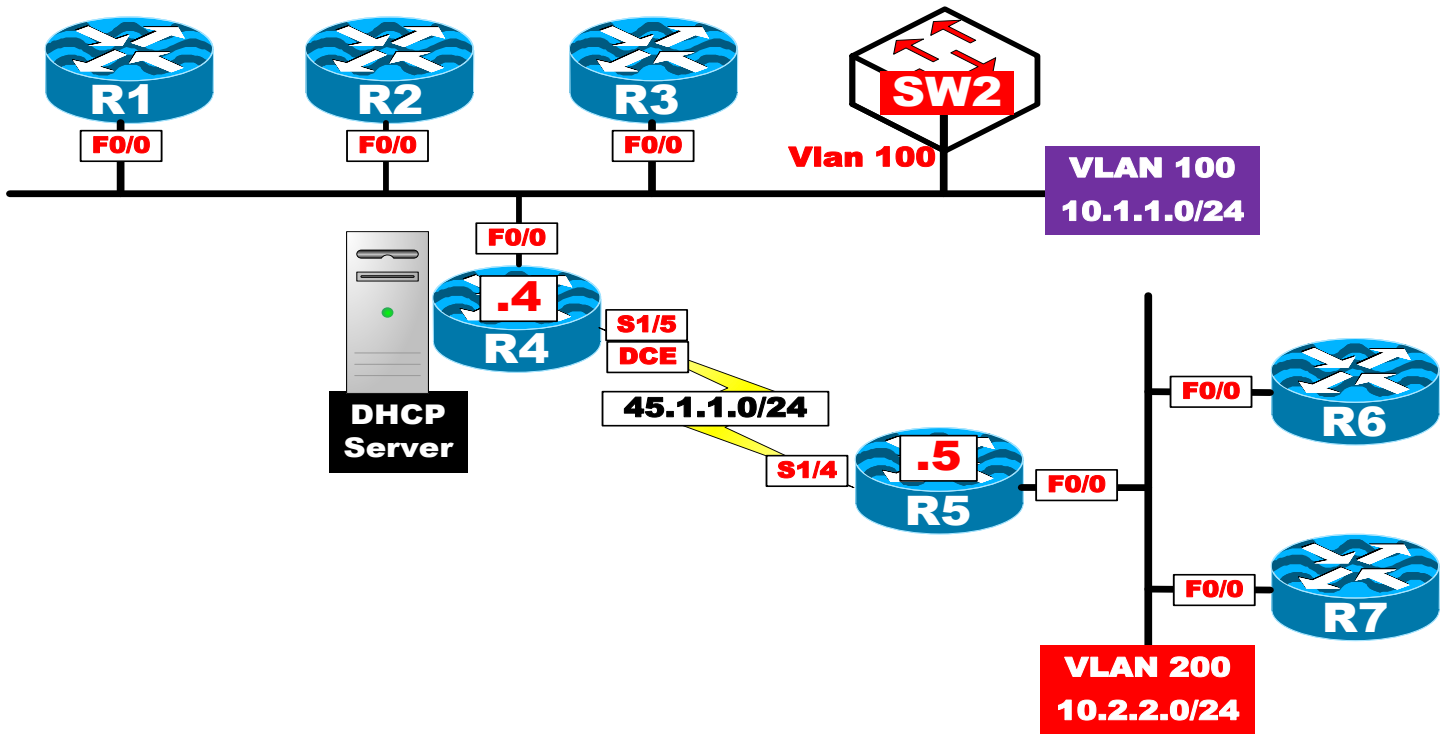
Advanced CCIE Routing & Switching 5.0

www.MicronicsTraining.com

Narbik Kocharians
CCSI, CCIE #12410
R&S, Security, SP

DHCP

Lab 1 – DHCP Configuration



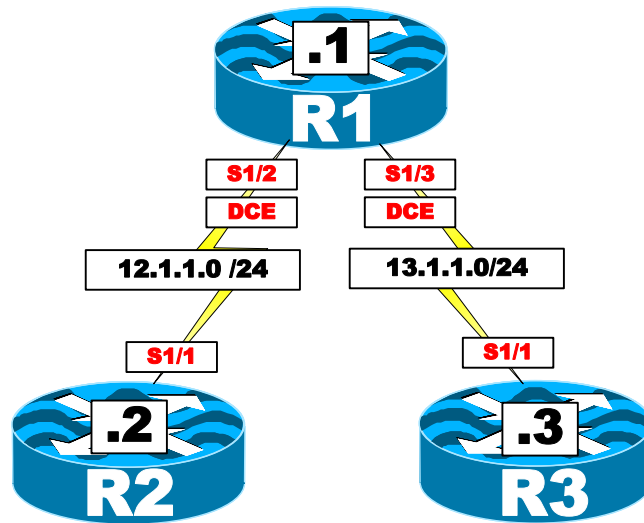
Advanced CCIE Routing & Switching 5.0

www.MicronicsTraining.com

Narbik Kocharians
CCSI, CCIE #12410
R&S, Security, SP

NTP & More IP Stuff

Lab 1 – Configuring NTP



Task 6

Configure the routers based on the following topology and IP addressing scheme:

