

# **Advanced Troubleshooting CCIE Routing & Switching v5.0**

[www.MicronicsTraining.com](http://www.MicronicsTraining.com)

**Narbik Kocharians  
CCSI, CCIE #12410  
R&S, Security, SP**

## **Troubleshooting** **Labs** **Questions Only**

# Table of Content

<b>Switching</b>	
<b>Lab 1</b>	<b>3</b>
<b>Lab 2</b>	<b>7</b>
<b>RIPv2</b>	
<b>Lab 1</b>	<b>11</b>
<b>EIGRP</b>	
<b>Lab 1</b>	<b>15</b>
<b>OSPF</b>	
<b>Lab 1</b>	<b>19</b>
<b>BGP</b>	
<b>Lab 1</b>	<b>23</b>
<b>MPLS-I</b>	
<b>Lab 1</b>	<b>27</b>
<b>MPLS-II</b>	
<b>Lab 1</b>	<b>29</b>
<b>IPv6</b>	
<b>Lab 1</b>	<b>33</b>
<b>Mock Lab 1</b>	
<b>Lab 1</b>	<b>37</b>
<b>Mock Lab 2</b>	
<b>Lab 1</b>	<b>45</b>
<b>Mock Lab 3</b>	
<b>Lab 1</b>	<b>53</b>

# **Advanced Troubleshooting CCIE Routing & Switching v5.0**

[www.MicronicsTraining.com](http://www.MicronicsTraining.com)

**Narbik Kocharians  
CCSI, CCIE #12410  
R&S, Security, SP**

## **Switching-I** **Questions**

# **Advanced Troubleshooting CCIE Routing & Switching v5.0**

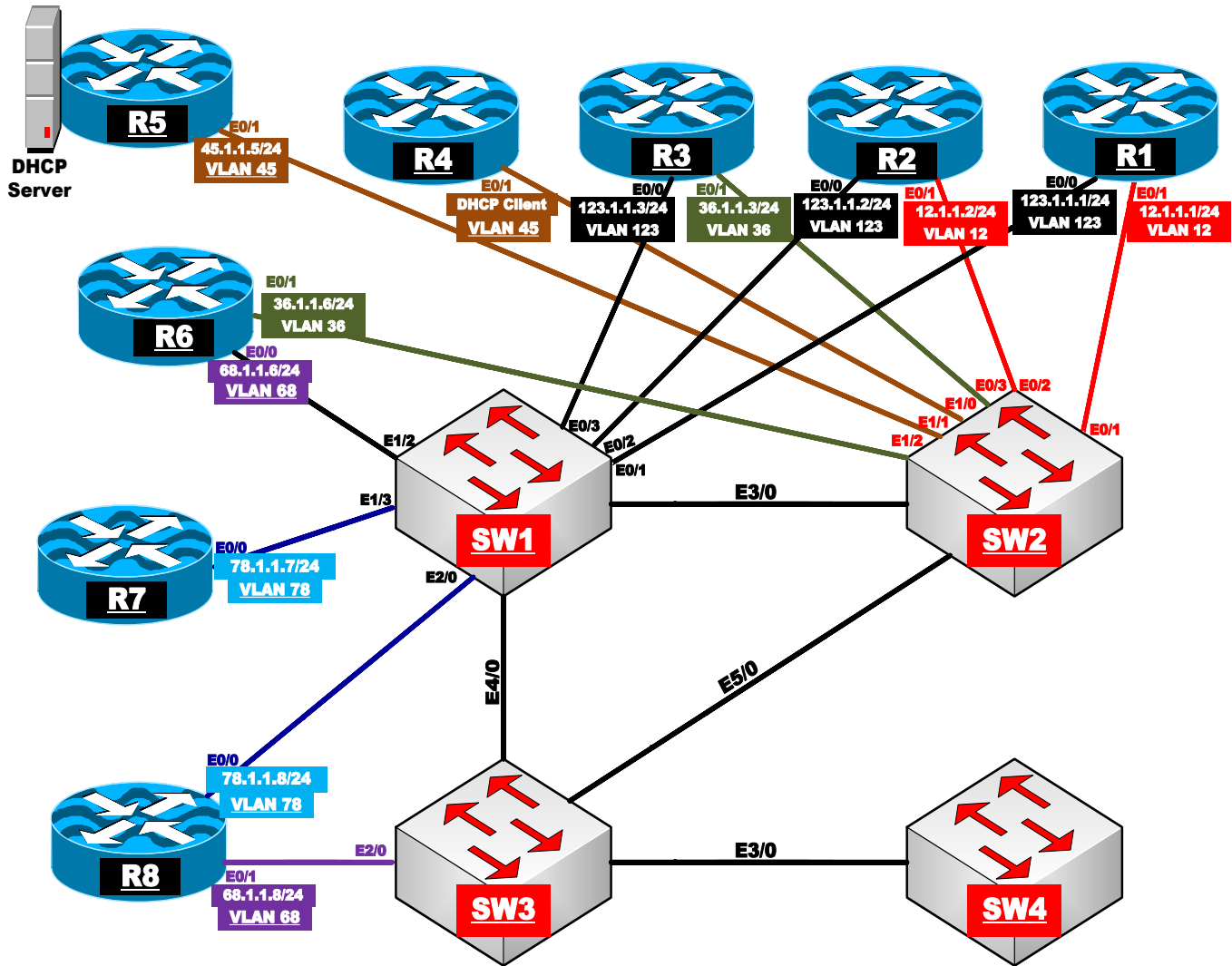
[www.MicronicsTraining.com](http://www.MicronicsTraining.com)

**Narbik Kocharians  
CCSI, CCIE #12410  
R&S, Security, SP**

## **Switching-II** **Questions**

# Troubleshooting Switching

## Scenario 2



# **Advanced Troubleshooting CCIE Routing & Switching v5.0**

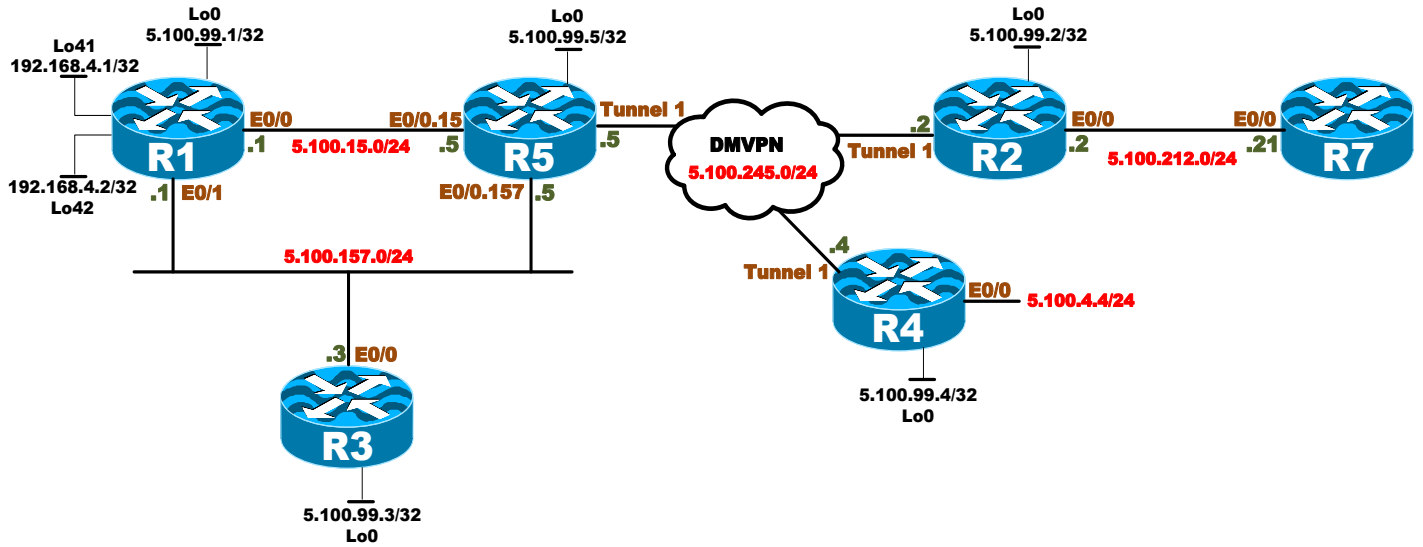
[www.MicronicsTraining.com](http://www.MicronicsTraining.com)

**Narbik Kocharians  
CCSI, CCIE #12410  
R&S, Security, SP**

## **RIPv2** **Questions**

# Lab 1

## Troubleshooting RIPv2 Scenario - I



# **Advanced Troubleshooting CCIE Routing & Switching v5.0**

[www.MicronicsTraining.com](http://www.MicronicsTraining.com)

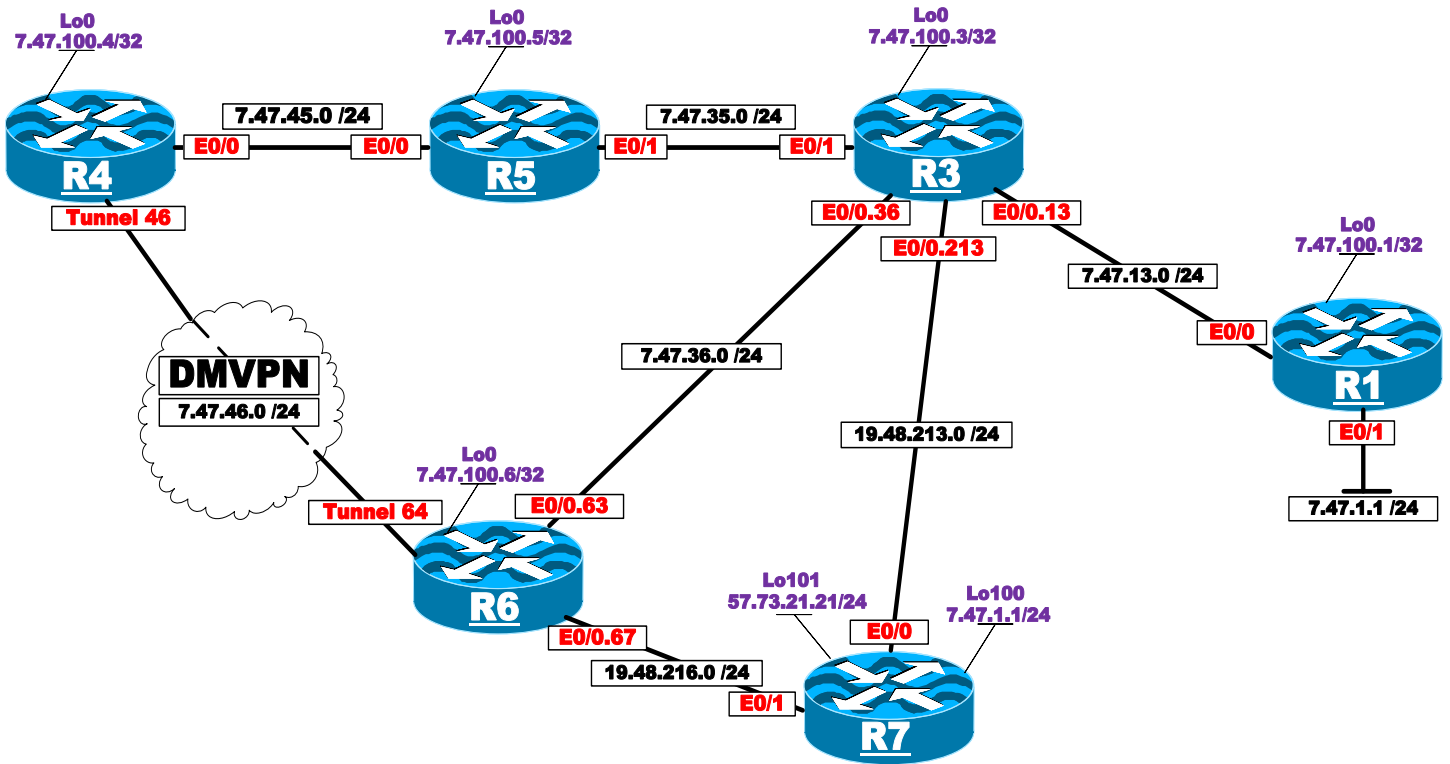
**Narbik Kocharians  
CCSI, CCIE #12410  
R&S, Security, SP**

## **EIGRP Questions**



# Lab 1

## Troubleshooting EIGRP Scenario - I



# **Advanced Troubleshooting CCIE Routing & Switching v5.0**

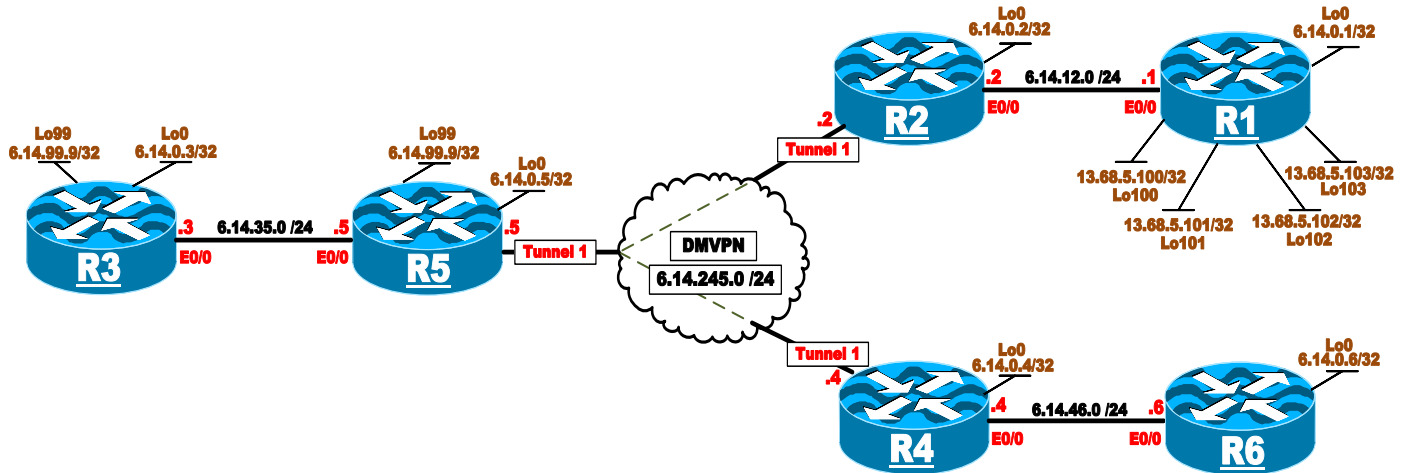
[www.MicronicsTraining.com](http://www.MicronicsTraining.com)

**Narbik Kocharians  
CCSI, CCIE #12410  
R&S, Security, SP**

## **OSPF Questions**

# Lab 1

## Troubleshooting OSPF Scenario - I



# **Advanced Troubleshooting CCIE Routing & Switching v5.0**

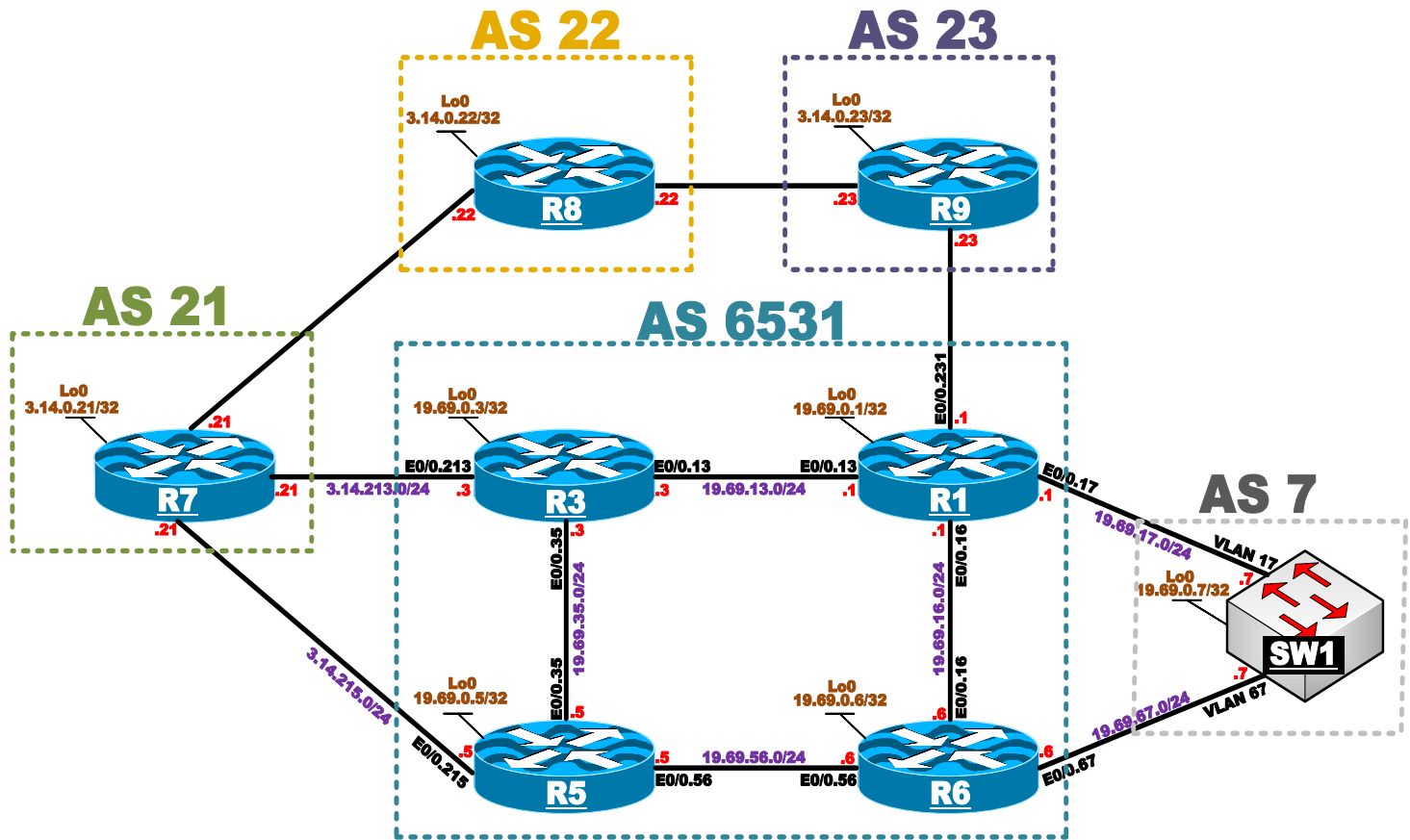
[www.MicronicsTraining.com](http://www.MicronicsTraining.com)

**Narbik Kocharians  
CCSI, CCIE #12410  
R&S, Security, SP**

## **BGP Questions**

# Lab 1

## Troubleshooting BGP Scenario - I



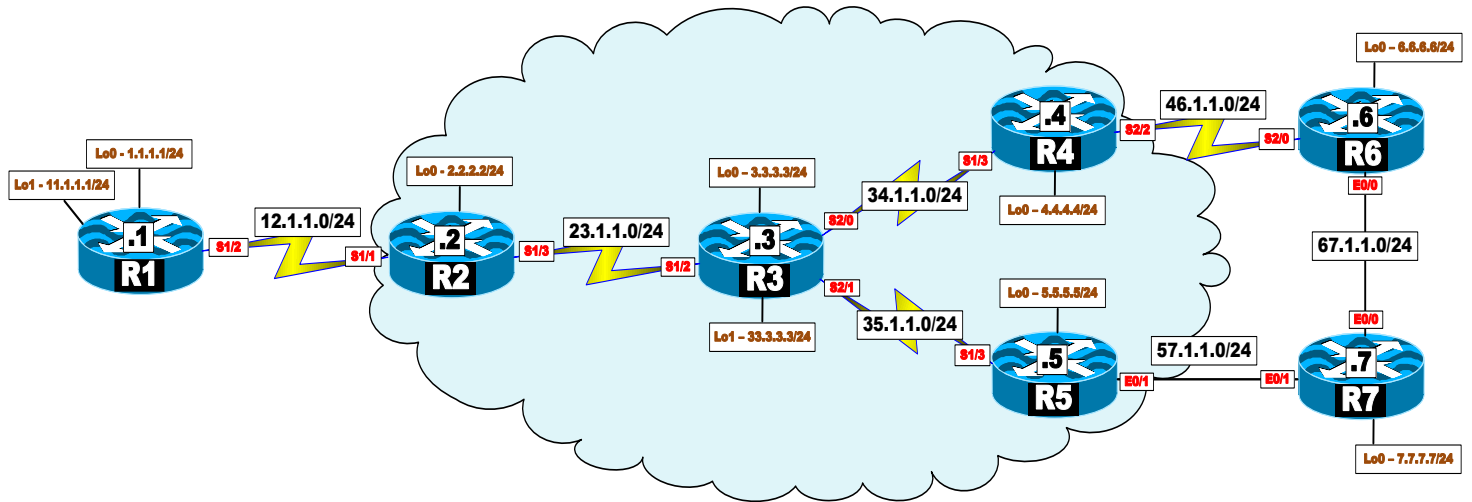
# **Advanced Troubleshooting CCIE Routing & Switching v5.0**

[www.MicronicsTraining.com](http://www.MicronicsTraining.com)

**Narbik Kocharians  
CCSI, CCIE #12410  
R&S, Security, SP**

## **MPLS-I Questions**

# Troubleshooting MPLS Scenario - I



# **Advanced Troubleshooting CCIE Routing & Switching v5.0**

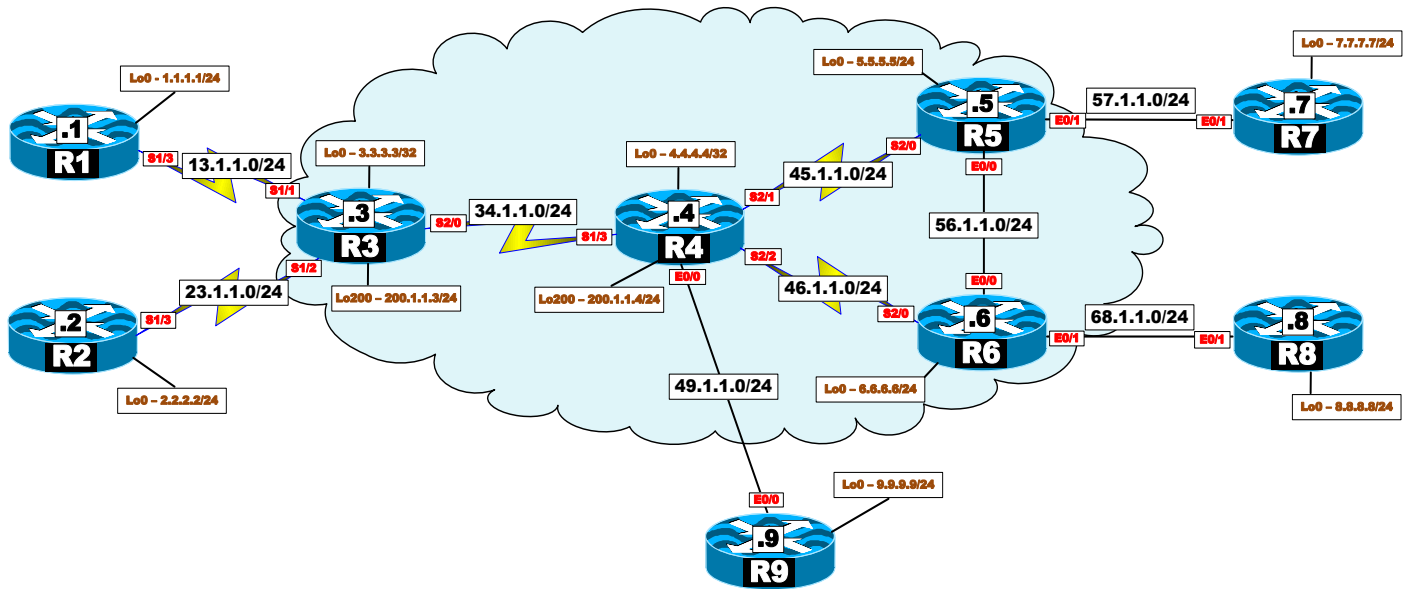
[www.MicronicsTraining.com](http://www.MicronicsTraining.com)

**Narbik Kocharians  
CCSI, CCIE #12410  
R&S, Security, SP**

## **MPLS-II Questions**



# Troubleshooting MPLS Scenario - 2



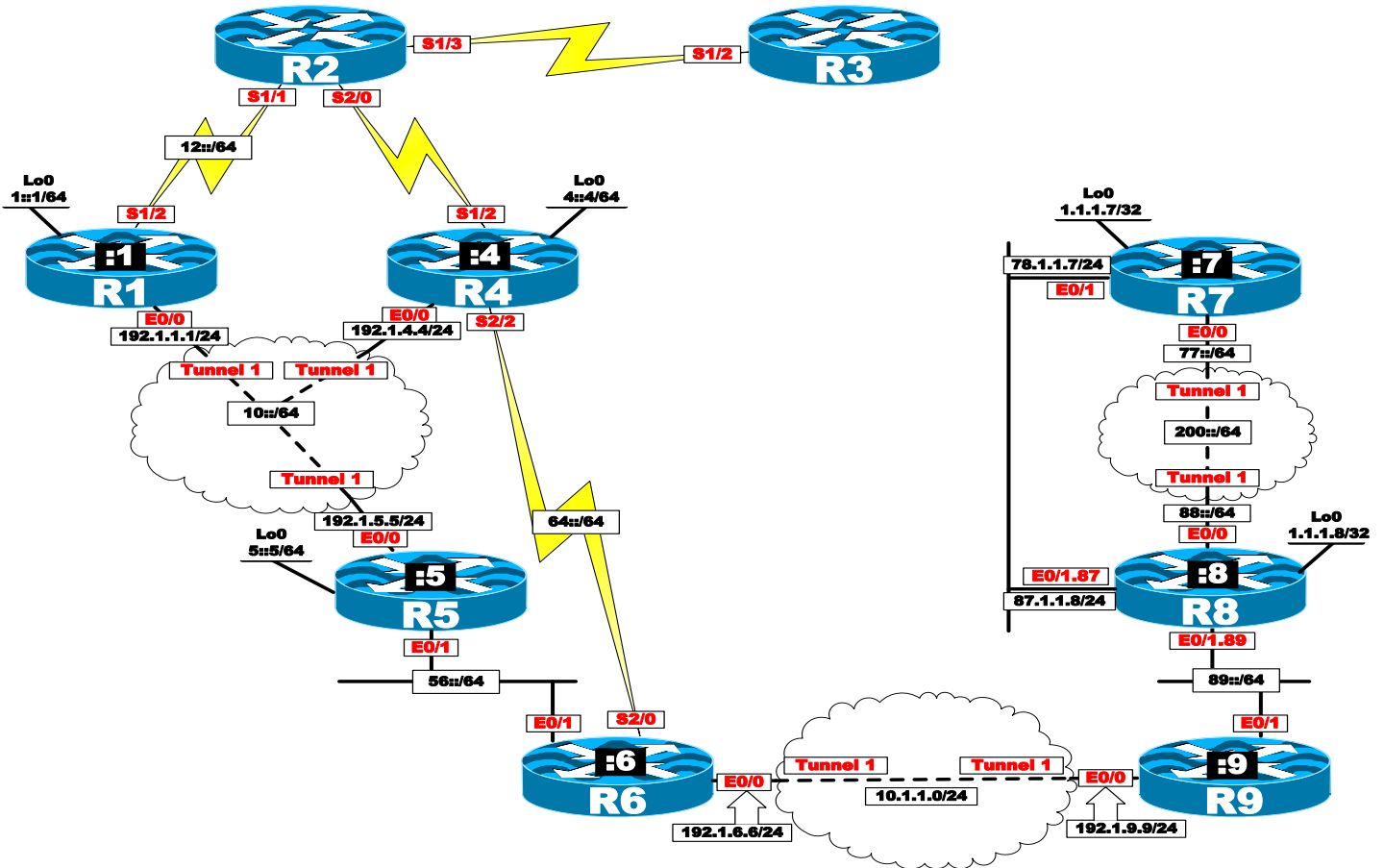
# **Advanced Troubleshooting CCIE Routing & Switching v5.0**

**[www.MicronicsTraining.com](http://www.MicronicsTraining.com)**

**Narbik Kocharians  
CCSI, CCIE #12410  
R&S, Security, SP**

## **IPv6 Questions**

# Troubleshooting IPv6



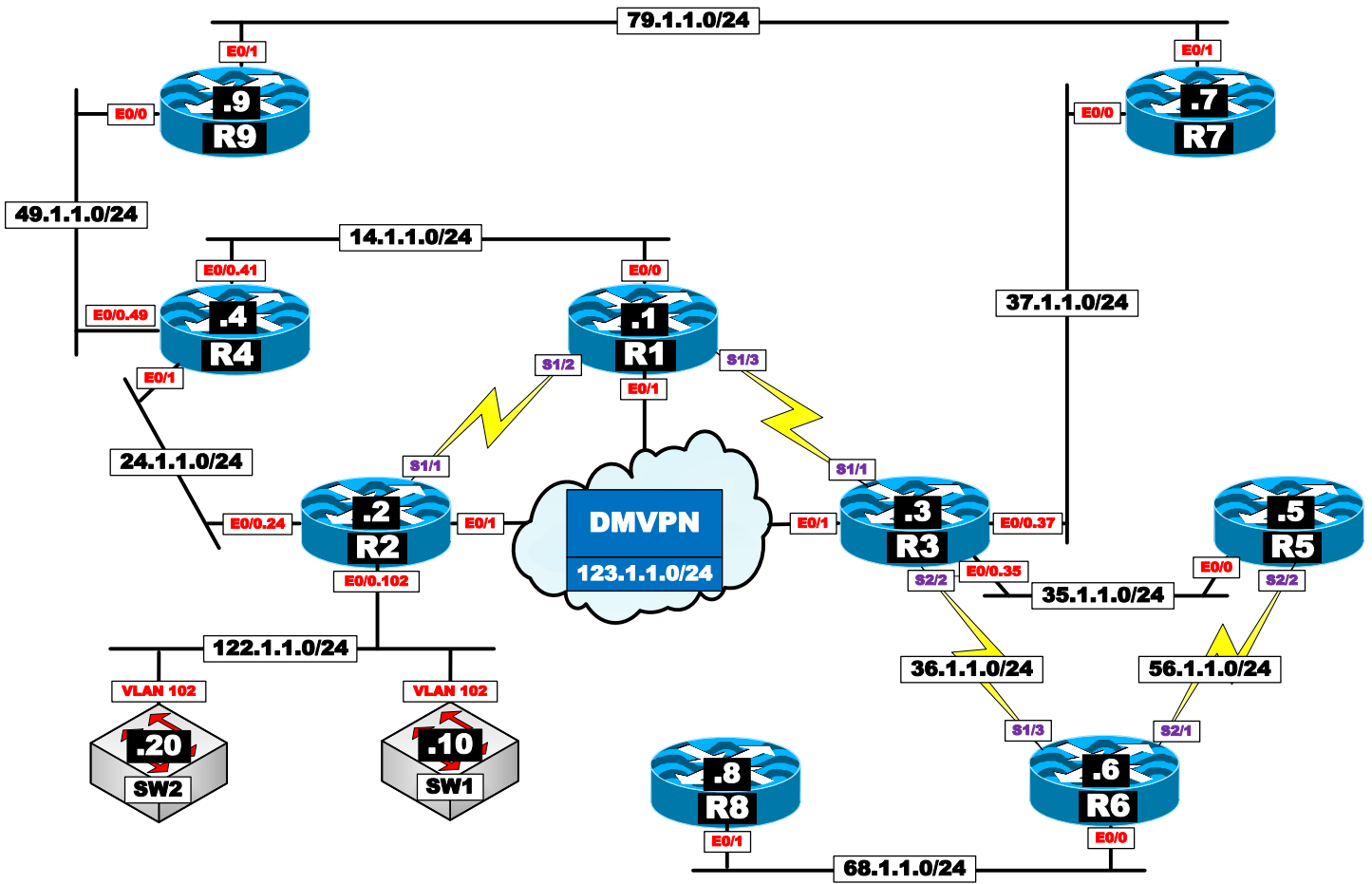
# **Advanced Troubleshooting CCIE Routing & Switching v5.0**

[www.MicronicsTraining.com](http://www.MicronicsTraining.com)

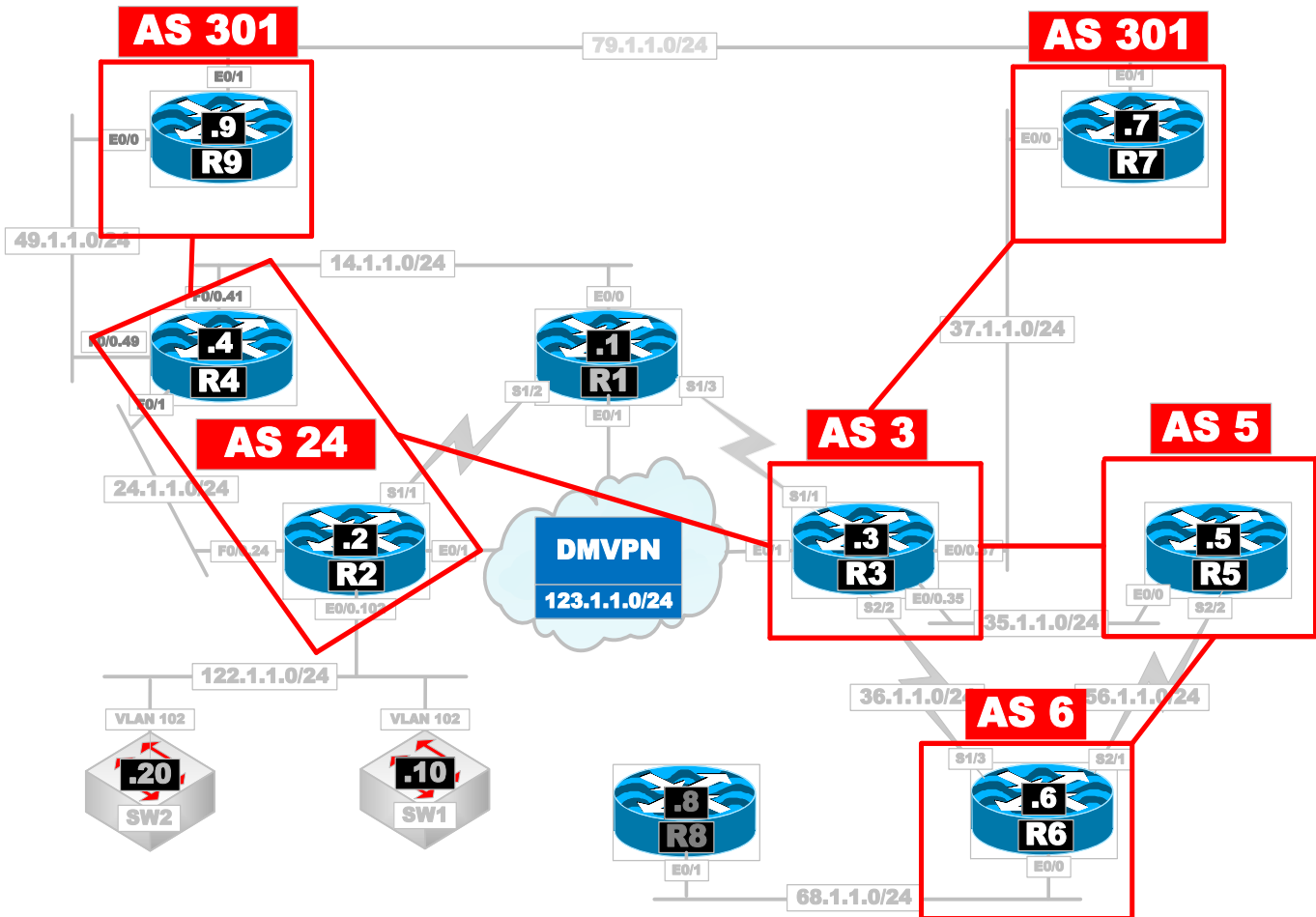
**Narbik Kocharians  
CCSI, CCIE #12410  
R&S, Security, SP**

## **TS-Mock-Lab-1 Questions**

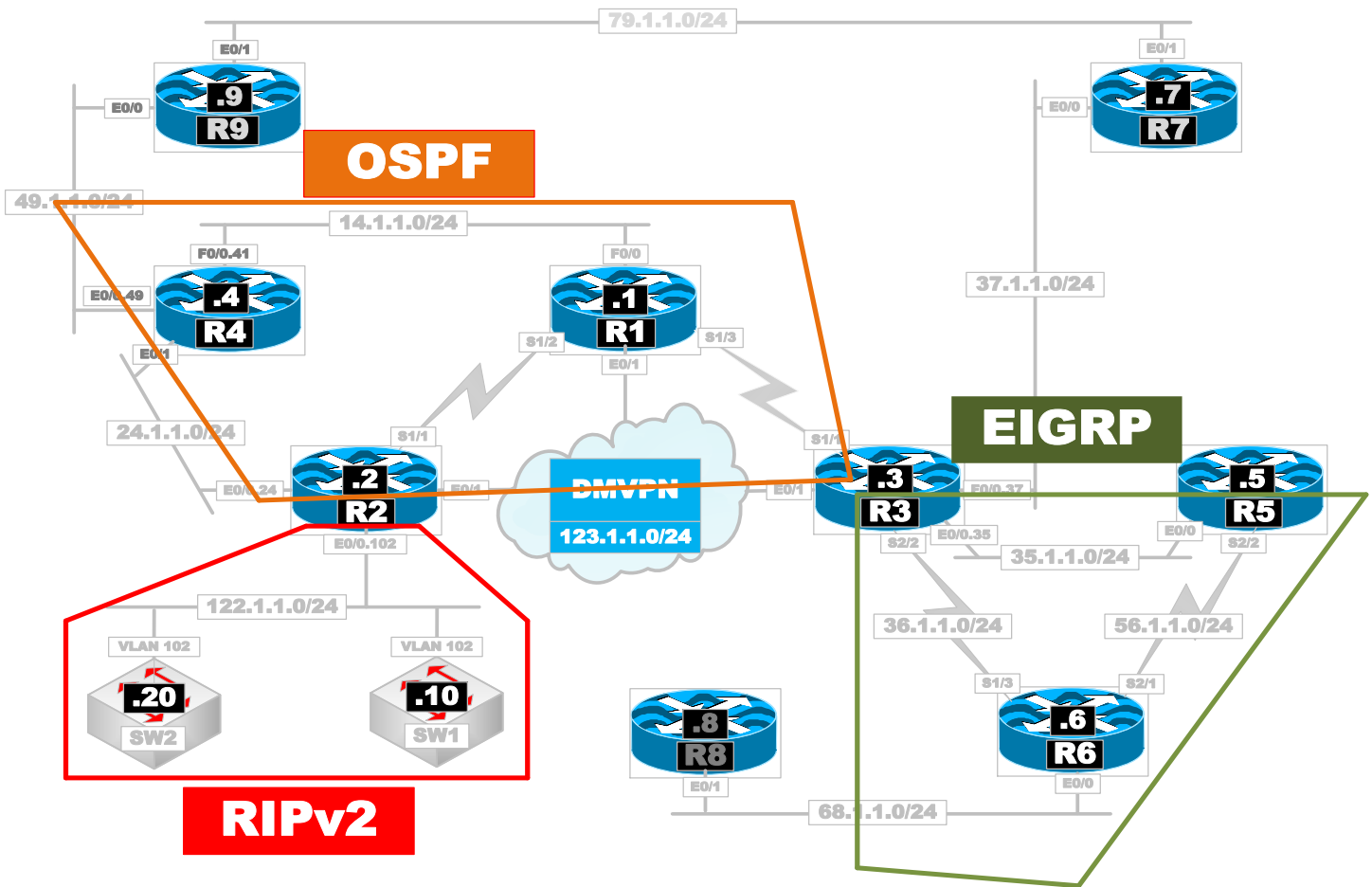
# IPv4 Topology



# BGP Topology



# IGP Topology



# **Advanced Troubleshooting CCIE Routing & Switching v5.0**

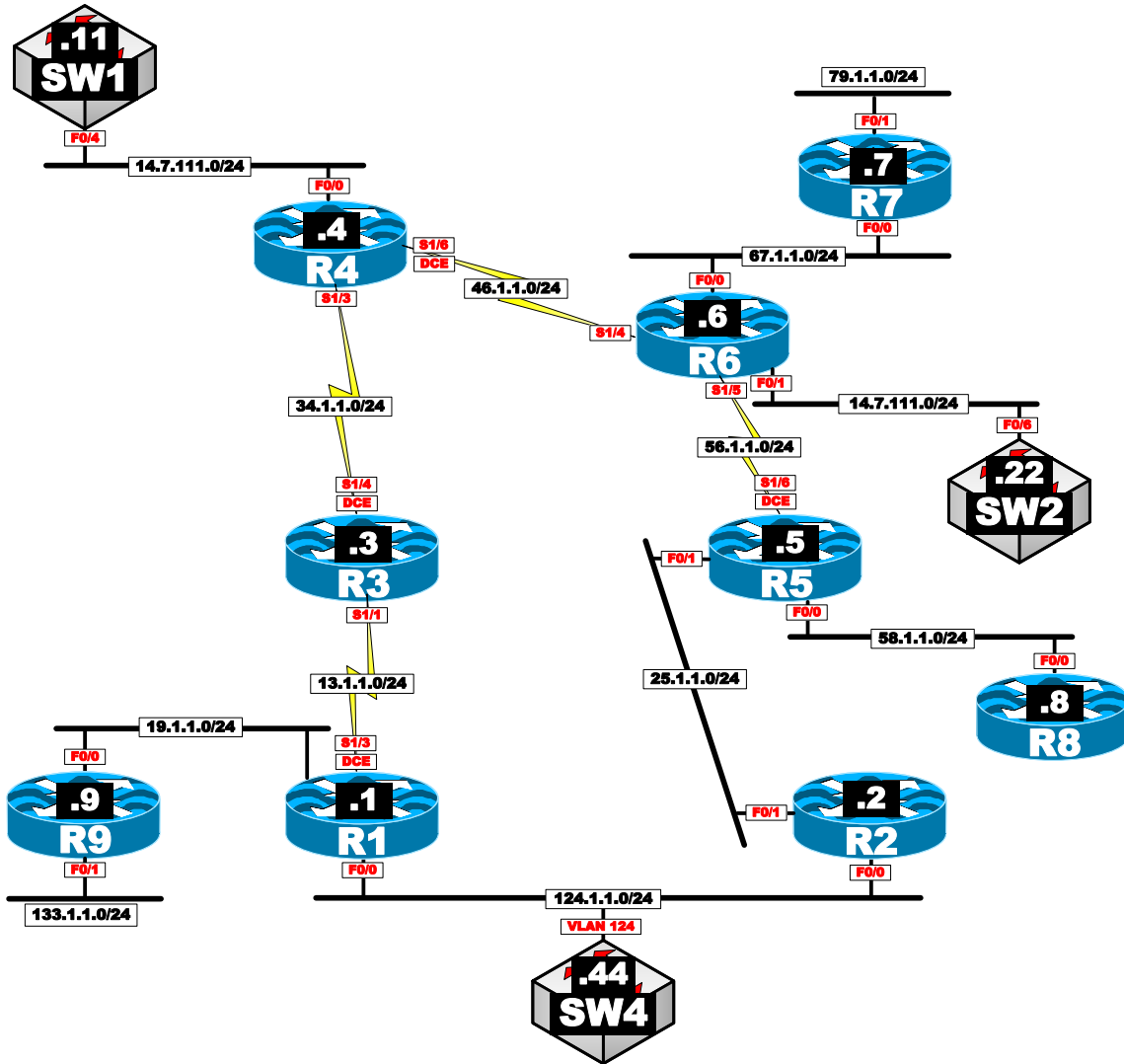
[www.MicronicsTraining.com](http://www.MicronicsTraining.com)

**Narbik Kocharians  
CCSI, CCIE #12410  
R&S, Security, SP**

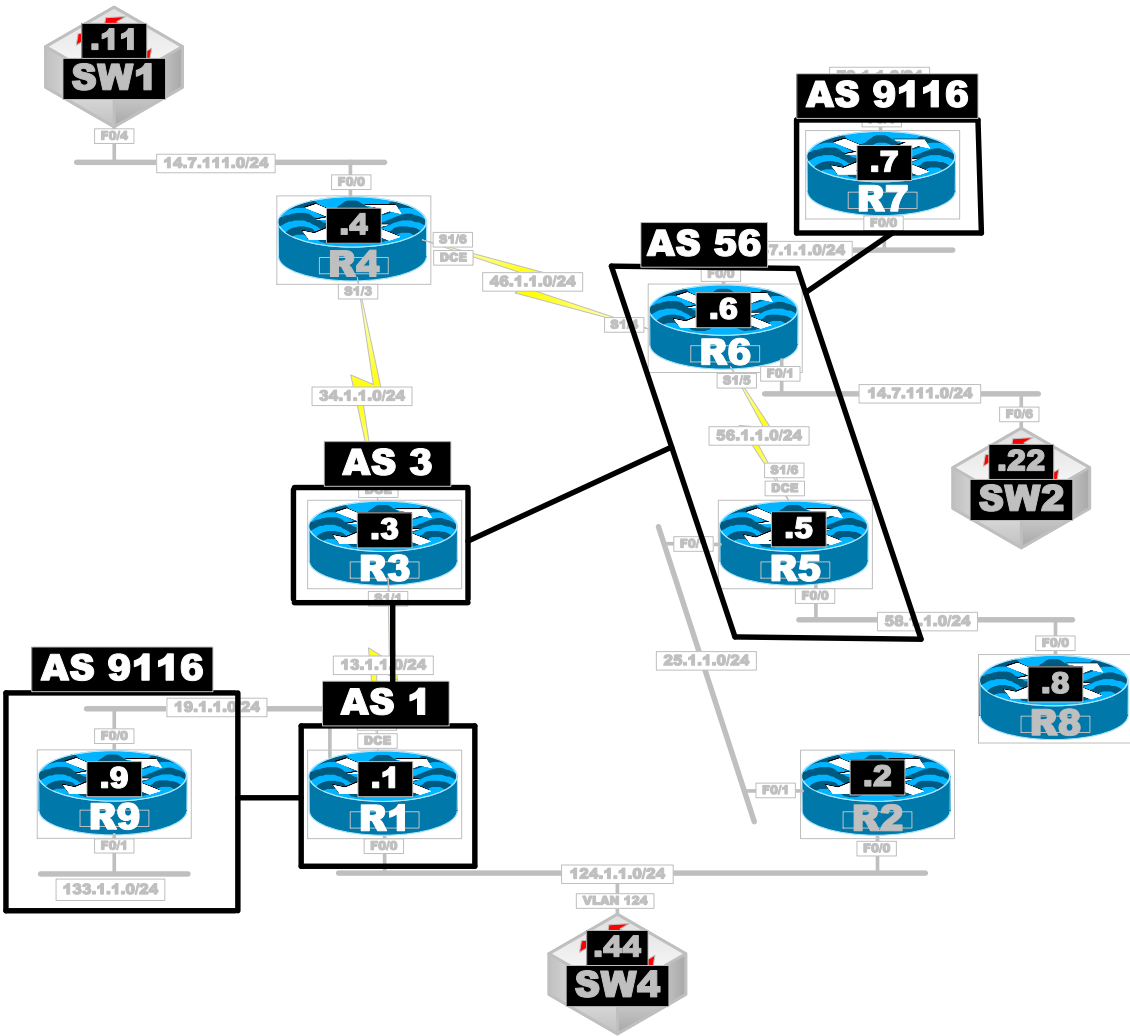
## **TS-Mock-Lab-2 Questions**



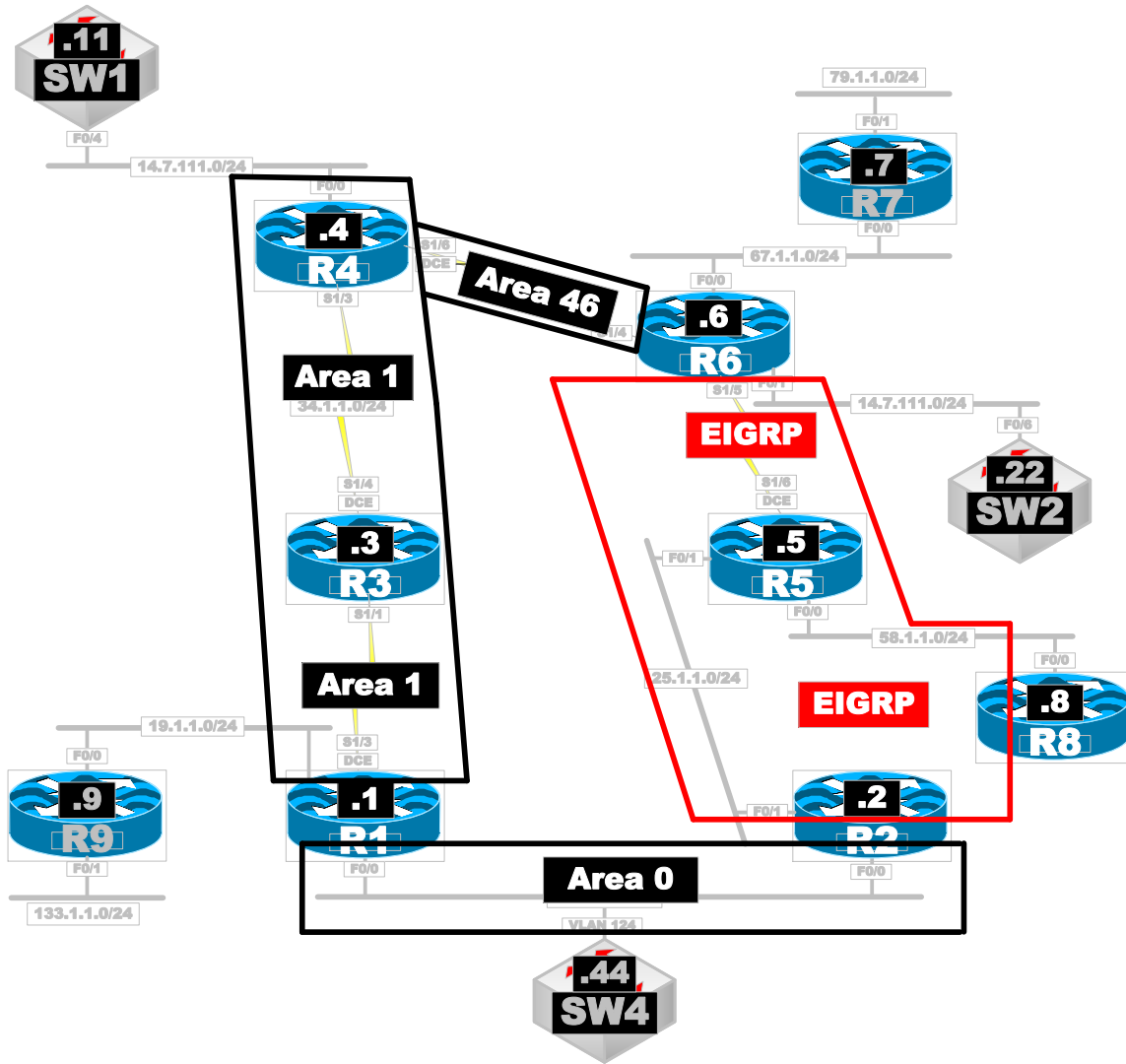
# IPv4 Topology



# BGP Topology



# IGP Topology



# **Advanced Troubleshooting CCIE Routing & Switching v5.0**

**[www.MicronicsTraining.com](http://www.MicronicsTraining.com)**

**Narbik Kocharians  
CCSI, CCIE #12410  
R&S, Security, SP**

## **TS-Mock-Lab-3 Questions**

# IPv4 Topology

